



## Independent Protection Co., Inc.

1607 South Main St.

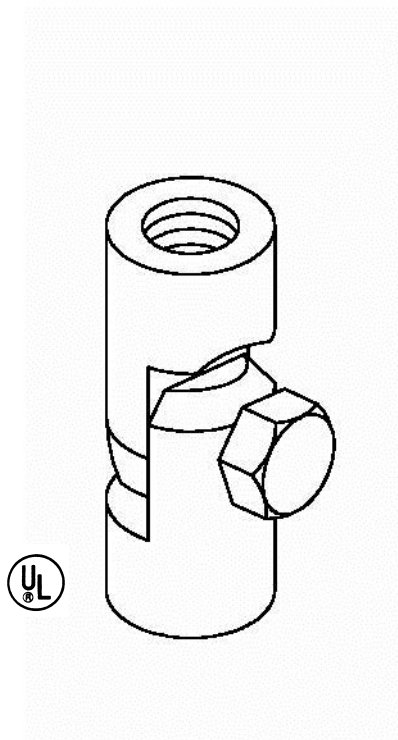
Goshen, IN. 46526

574.533.4116 or 1.800.860.8388

Fax: 574.534.3719

info@ipclp.com www.ipclp.com

UL Listing No. E10913



**MADJ12FT12FB**

**Adjustable Adaptors Female  
Top to Female Bottom**

Machined brass  
1/2" female top  
1/2" female bottom  
Wt. .38 lbs. each.