



Independent Protection Co., Inc.

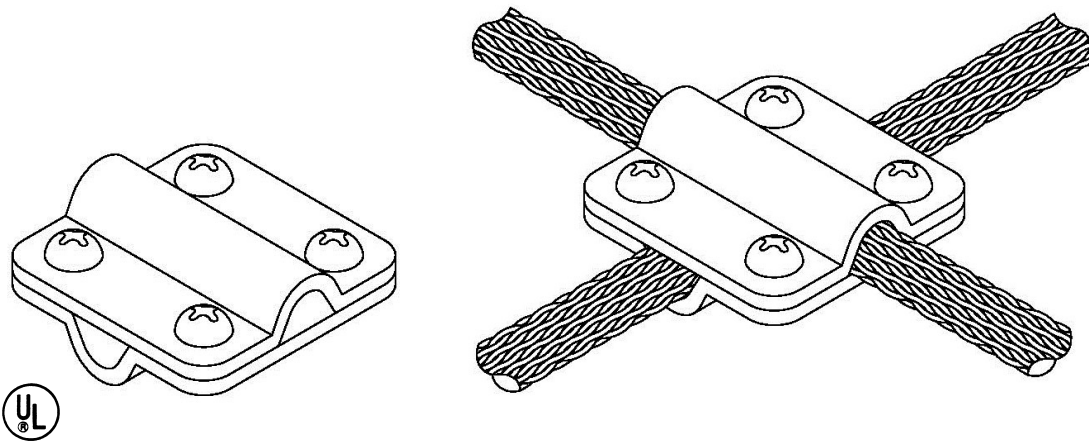
1607 South Main St.
Goshen, IN. 46526

574.533.4116 or 1.800.860.8388

Fax: 574.534.3719

info@ipclp.com www.ipclp.com

UL Listing No. E10913



119

Cross Run Connector

Cast bronze pressure type connector for connecting two cables. Wt. .58 lbs. each.

22	26S	32S	40	21	G3	A22	A26	A30
----	-----	-----	----	----	----	-----	-----	-----