



## Independent Protection Co., Inc.

1607 South Main St.

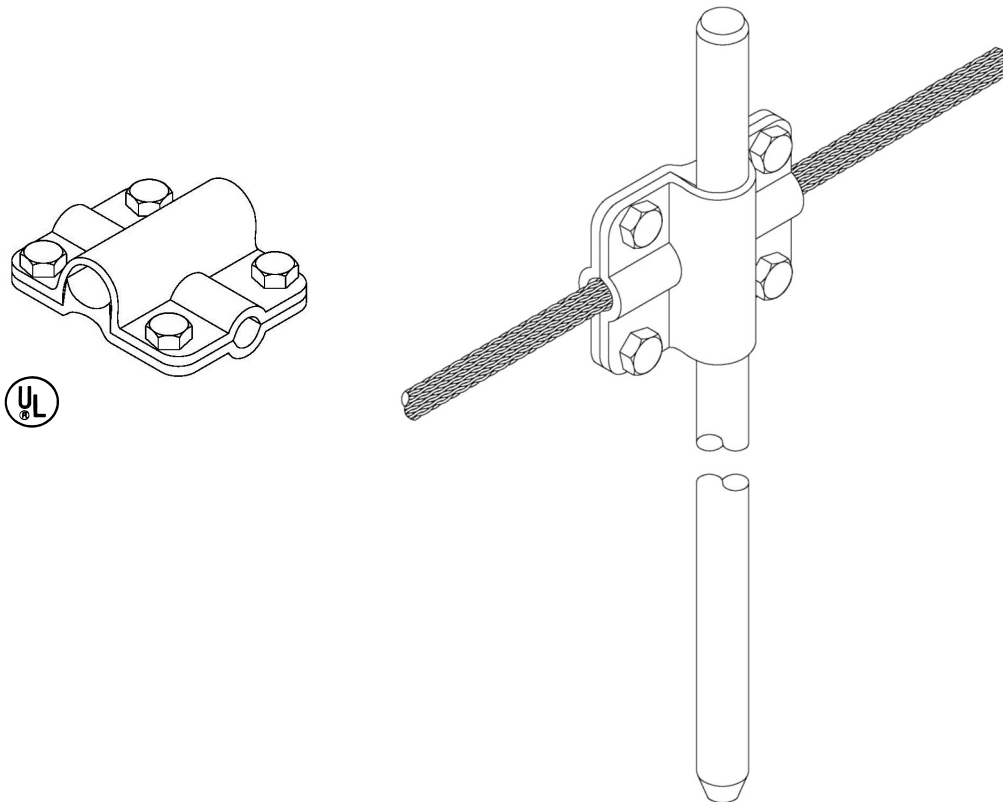
Goshen, IN. 46526

574.533.4116 or 1.800.860.8388

Fax: 574.534.3719

info@ipclp.com www.ipclp.com

UL Listing No. E10913



### 119B

### Heavy Duty Cross Run Clamp

Cast bronze part has four hex screws and is used for cross-connecting 1/2" diameter cable to either 5/8" or 3/4" diameter ground rods. Wt. .64 lbs. each.

12	28S	32S	40	21	G3	A22	A28	A30
----	-----	-----	----	----	----	-----	-----	-----