



## Independent Protection Co., Inc.

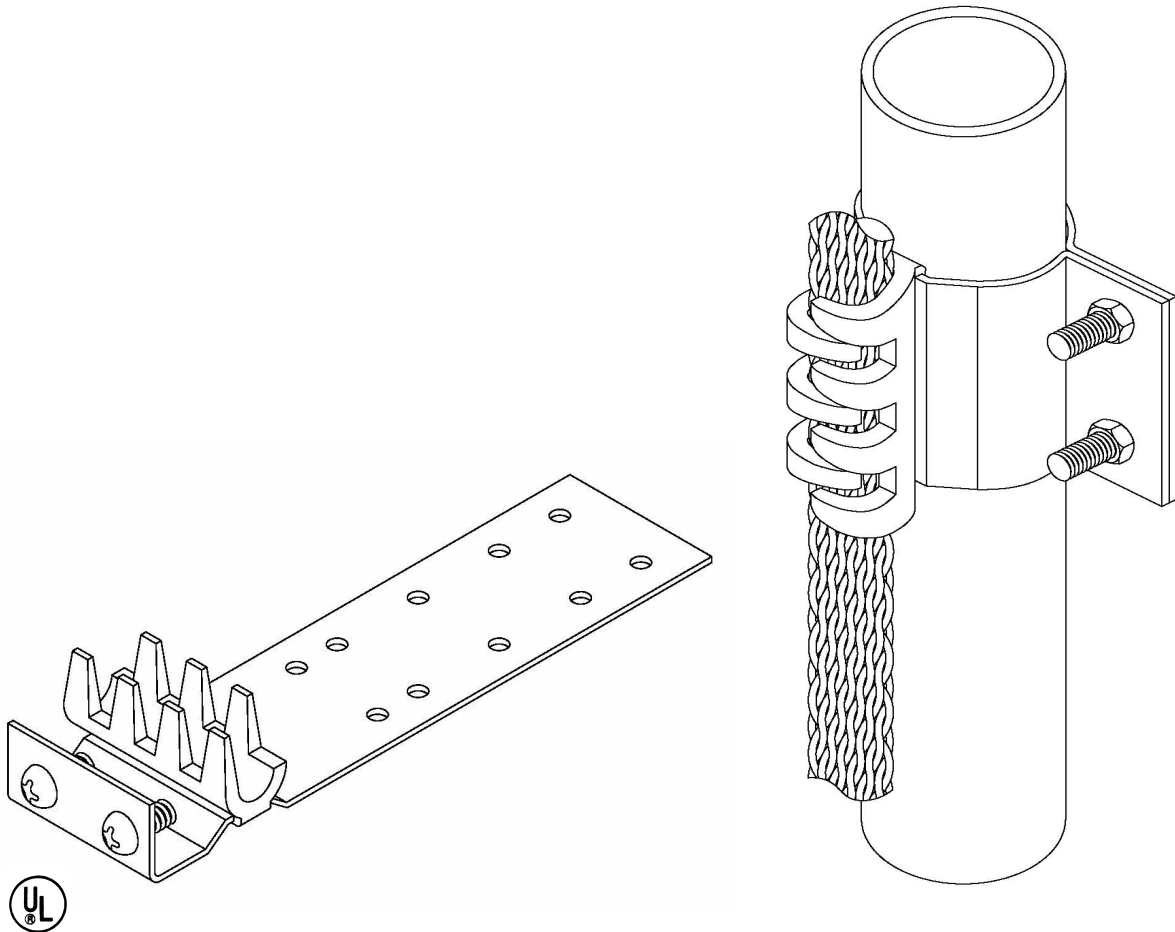
1607 South Main St.  
Goshen, IN. 46526

574.533.4116 or 1.800.860.8388

Fax: 574.534.3719

info@ipclp.com www.ipclp.com

UL Listing No. E10913



12

### Bonding Strap Fastener

Crimp fitting with IP-49Y bonding strap for pipes up to 1-1/2" diameter. Part is tinned.

Wt. .42 lbs. each.

28	28S	32S	40	21	G3	A22	A28	A30
----	-----	-----	----	----	----	-----	-----	-----