



Independent Protection Co., Inc.

1607 South Main St.

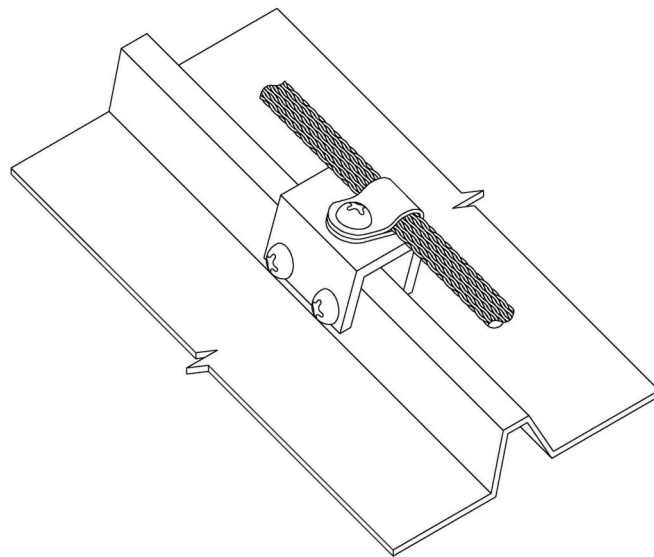
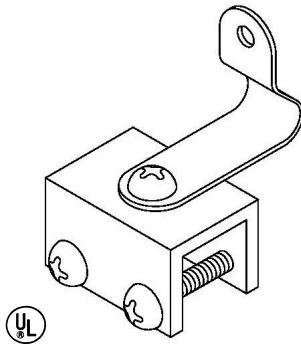
Goshen, IN. 46526

574.533.4116 or 1.800.860.8388

Fax: 574.534.3719

info@ipclp.com www.ipclp.com

UL Listing No. E10913



121SS

Standing Seam Loop Fastener

Cast bronze base with loop style fastener for seams up to 13/16" wide. Cable run can be parallel or perpendicular. Wt. .18 lbs. each.

22	28S	32S	40	21	GS	A22	A28	A30
----	-----	-----	----	----	----	-----	-----	-----