



Independent Protection Co., Inc.

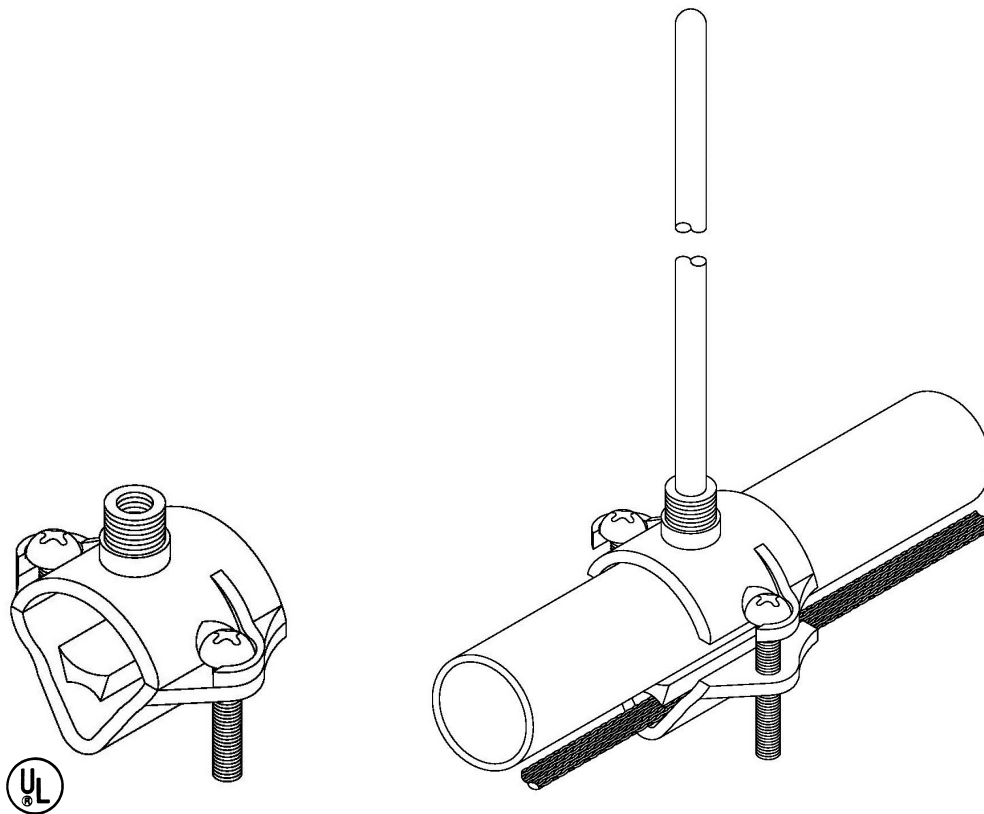
1607 South Main St.
Goshen, IN. 46526

574.533.4116 or 1.800.860.8388

Fax: 574.534.3719

info@ipclp.com www.ipclp.com

UL Listing No. E10913



181

Railing Bracket Air Terminal Base

Cast Bronze part is for use with railings up
To 1-3/4" diameter. Part is threaded for 3/8"
female and 5/8" male threads. Wt. 74. lbs. each.

22	28S	32S	40	21	63	A27	A28	A30
----	-----	-----	----	----	----	-----	-----	-----