



## Independent Protection Co., Inc.

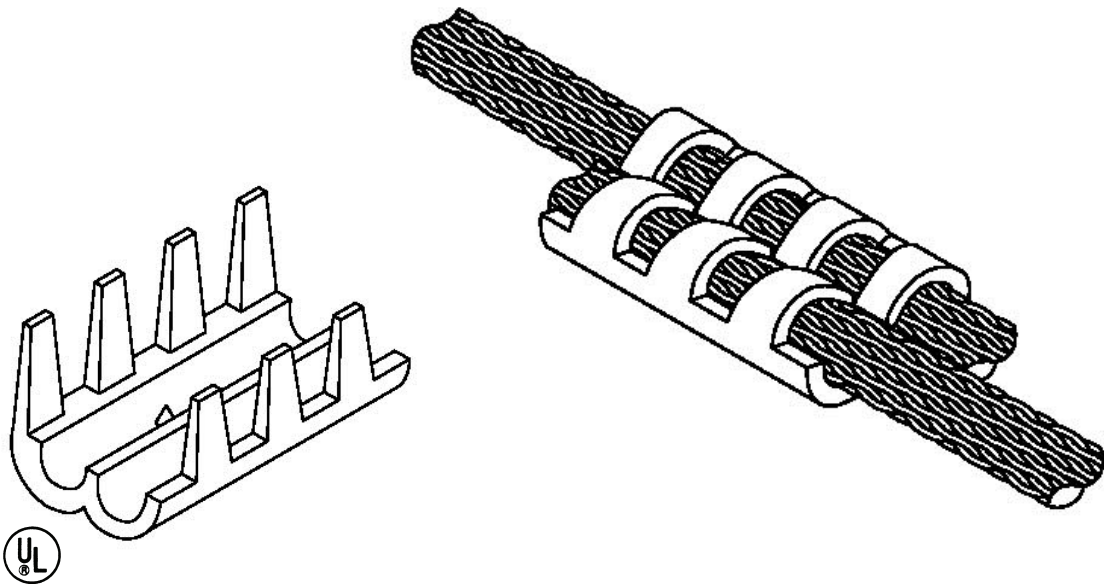
1607 South Main St.  
Goshen, IN. 46526

574.533.4116 or 1.800.860.8388

Fax: 574.534.3719

info@ipclp.com www.ipclp.com

UL Listing No. E10913



### 193X22 Parallel Splicer

Cast bronze crimp splicer 2" length. For use with two bonding cables. Wt. .10 lbs. each.

22	285	325	40	21	G3	A22	A28	A30
----	-----	-----	----	----	----	-----	-----	-----