



## Independent Protection Co., Inc.

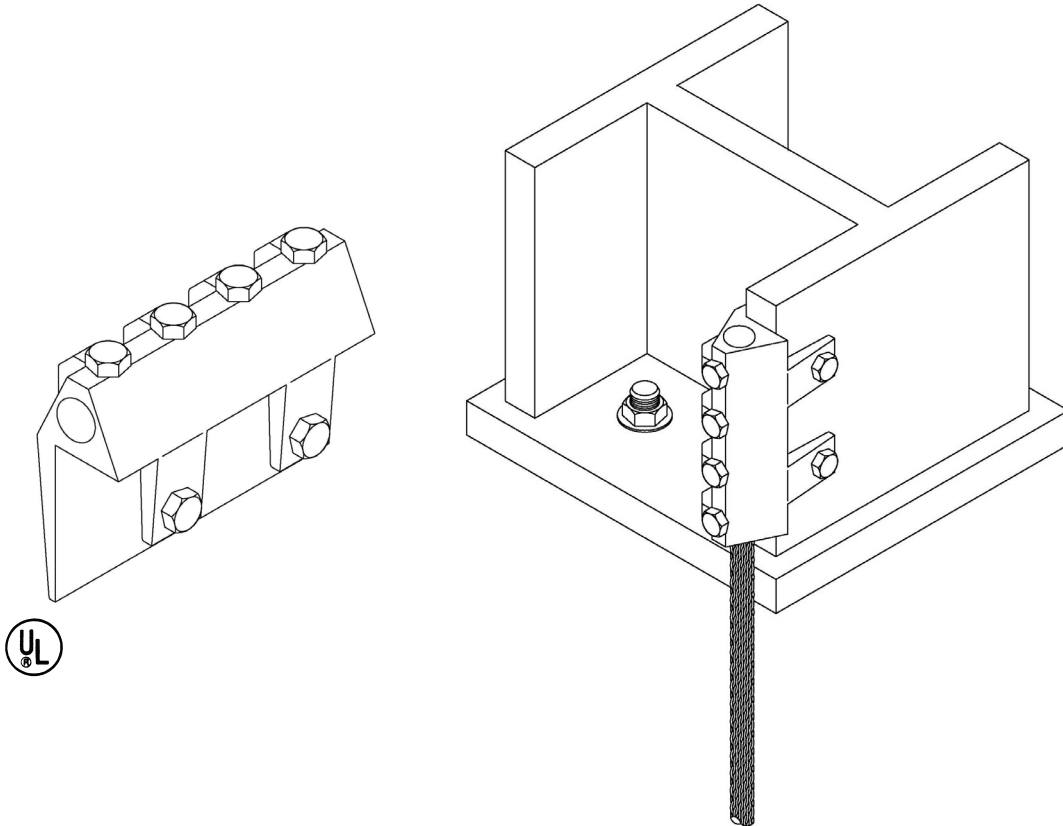
1607 South Main St.  
Goshen, IN. 46526

574.533.4116 or 1.800.860.8388

Fax: 574.534.3719

info@ipclp.com www.ipclp.com

UL Listing No. E10913



### 235X Heavy Duty Beam Connector

Cast bronze part provides 8 square inches of bonding area. For cables as shown and for use with steel plates up to 3/4" thick. Wt. 1.58 lbs. each.

22	28S	32S	40	21	G3	A23	A28	A30
----	-----	-----	----	----	----	-----	-----	-----