



Independent Protection Co., Inc.

1607 South Main St.

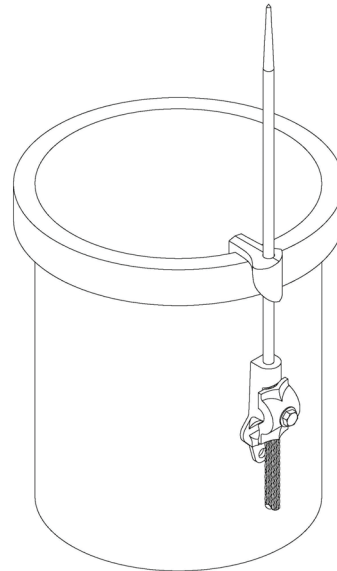
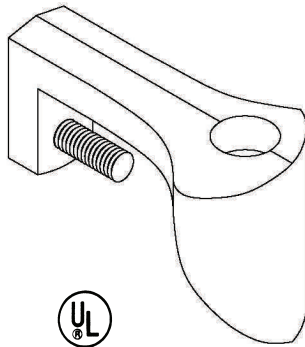
Goshen, IN. 46526

574.533.4116 or 1.800.860.8388

Fax: 574.534.3719

info@ipclp.com www.ipclp.com

UL Listing No. E10913



256

Tin Coated Copper Flue Tile Clamp

For use with 3/8" rod and standard or round tile
up to 7/8" thick. Wt. .18 lbs. each.