



## Independent Protection Co., Inc.

1607 South Main St.

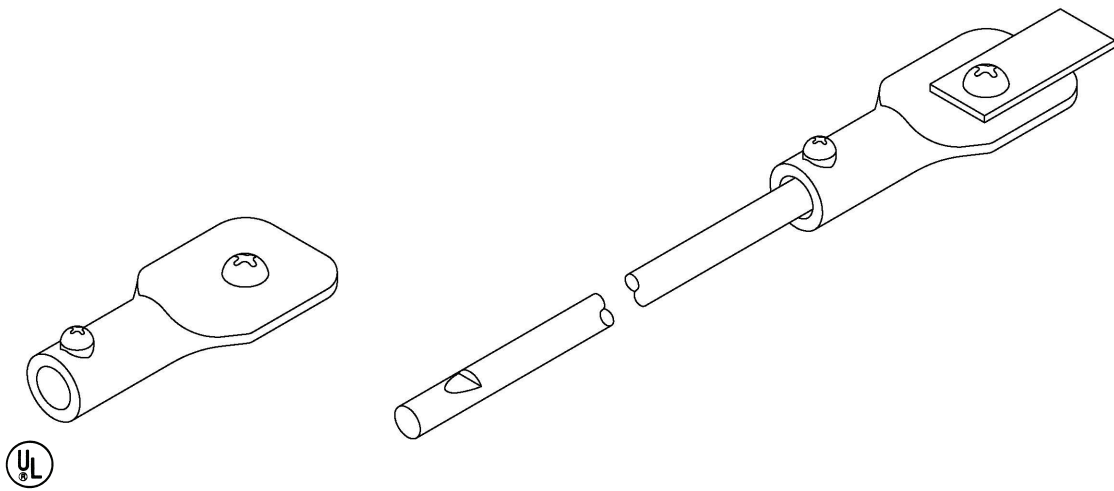
Goshen, IN. 46526

574.533.4116 or 1.800.860.8388

Fax: 574.534.3719

info@ipclp.com www.ipclp.com

UL Listing No. E10913



**258**

### Chimney Connector

Cast bronze connector for use with 3/8"  
rod and 1" flat strip. Wt. .12 lbs. each.