



Independent Protection Co., Inc.

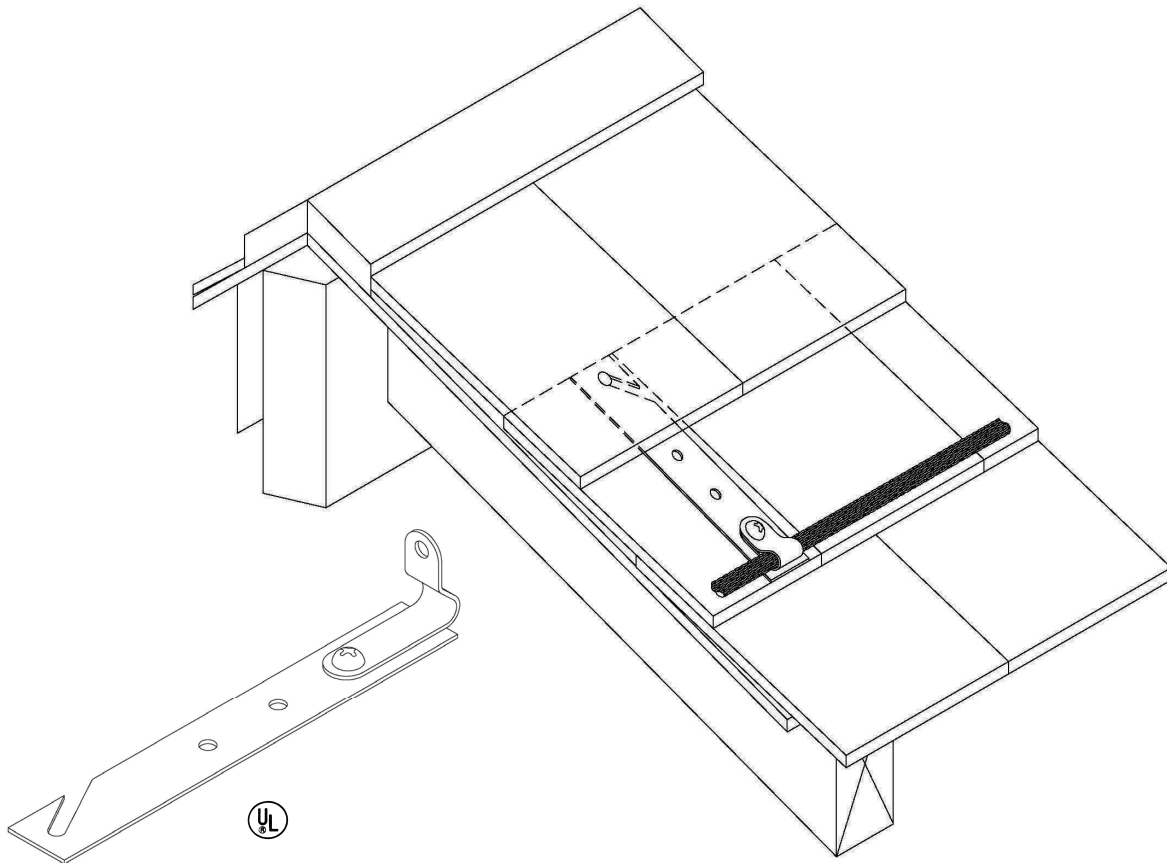
1607 South Main St.
Goshen, IN. 46526

574.533.4116 or 1.800.860.8388

Fax: 574.534.3719

info@ipclp.com www.ipclp.com

UL Listing No. E10913



268

Slate Roof Cable Fastener

Pressed copper fastener clamp is for installation onto slate roofs for cable that runs parallel or perpendicular. Length is adjustable, slips under shingle and hooks around nail. Wt. .15 lbs. each.

28	28S	32S	40	21	GS	A22	A28	A30
----	-----	-----	----	----	----	-----	-----	-----