



## Independent Protection Co., Inc.

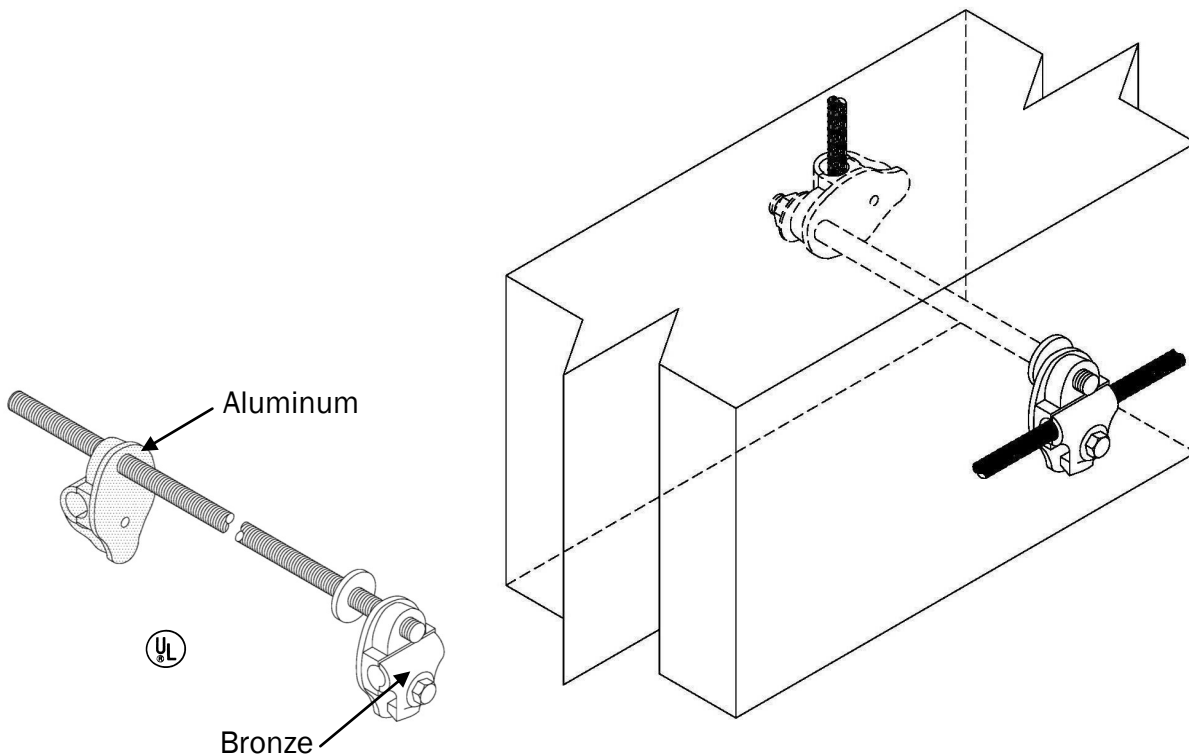
1607 South Main St.  
Goshen, IN. 46526

574.533.4116 or 1.800.860.8388

Fax: 574.534.3719

info@ipclp.com www.ipclp.com

UL Listing No. E10913



### 272X BM Bi-Metal Thru-Wall Connector

Assembly includes two cable connectors in bronze and aluminum, 1/2" x 12" stainless steel threaded rod, Neoprene® washer, hex nut and washer. Longer lengths of thread rod available upon request. Wt. 1.20 lbs. each.

|    |     |     |    |    |    |     |     |     |
|----|-----|-----|----|----|----|-----|-----|-----|
| 12 | 28S | 32S | 40 | 21 | 6S | A22 | A28 | A30 |
|----|-----|-----|----|----|----|-----|-----|-----|