



## Independent Protection Co., Inc.

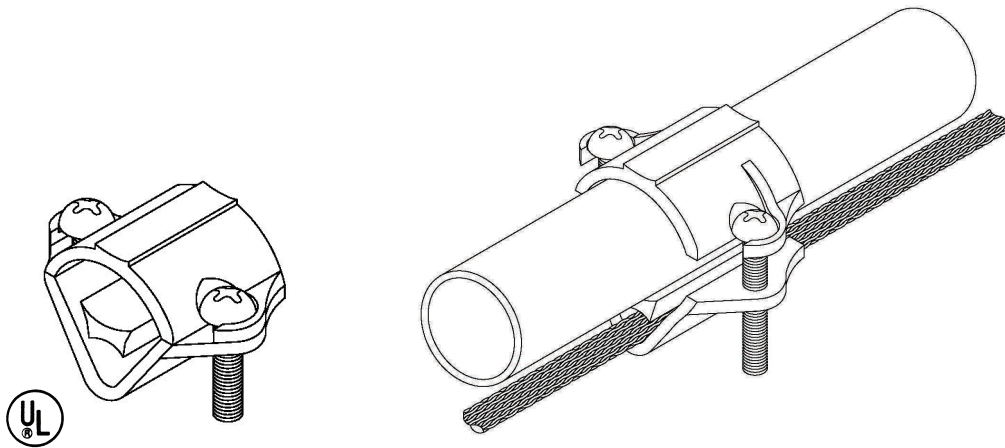
1607 South Main St.  
Goshen, IN. 46526

574.533.4116 or 1.800.860.8388

Fax: 574.534.3719

info@ipclp.com www.ipclp.com

UL Listing No. E10913



**306**

### Small Perfection Pipe Clamp

Cast bronze pipe clamp for cables through 2/0 providing 1-1/2" contact. Fits 1/2" – 1" iron pipes and 1/4" – 1" copper pipes. Maximum 1-1/2" outer diameter. Part is tinned to prevent corrosion. Wt. .48 lbs. each.

22	28S	32S	40	21	GS	A22	A28	A30
----	-----	-----	----	----	----	-----	-----	-----