



Independent Protection Co., Inc.

1607 South Main St.

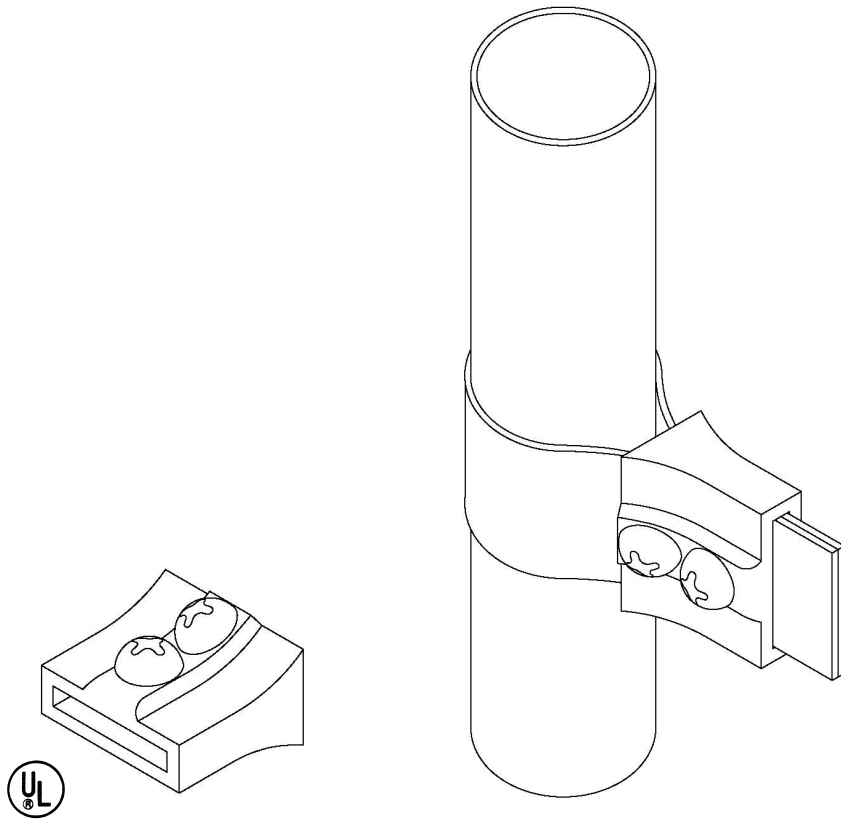
Goshen, IN. 46526

574.533.4116 or 1.800.860.8388

Fax: 574.534.3719

info@ipclp.com www.ipclp.com

UL Listing No. E10913



307X Adjustable Strap Fastener

Cast bronze connector is used with
IP-49 strap. Wt. .14 lbs. each.