



## Independent Protection Co., Inc.

1607 South Main St.

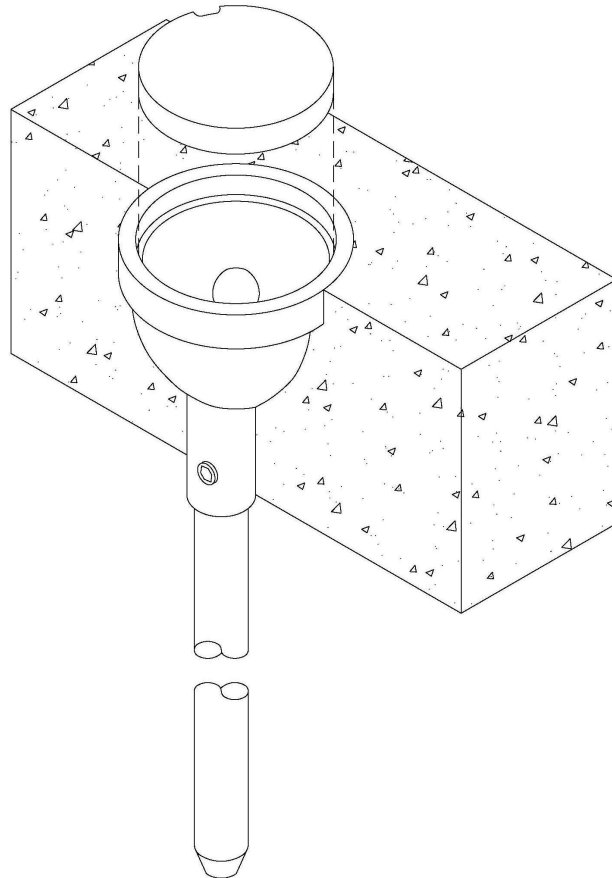
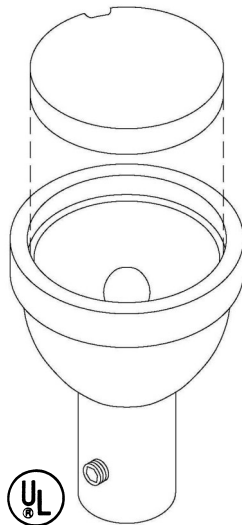
Goshen, IN. 46526

574.533.4116 or 1.800.860.8388

Fax: 574.534.3719

info@ipclp.com www.ipclp.com

UL Listing No. E10913



### 311 Ground Receptacle

Cast bronze receptacle for use with ground rod.  
Lid is furnished with SS chain that secures top to  
receptacle. When ordering, specify ground rod diameter  
and threaded or plain ground rod. Wt. 2.22 lbs. each.