



Independent Protection Co., Inc.

1607 South Main St.

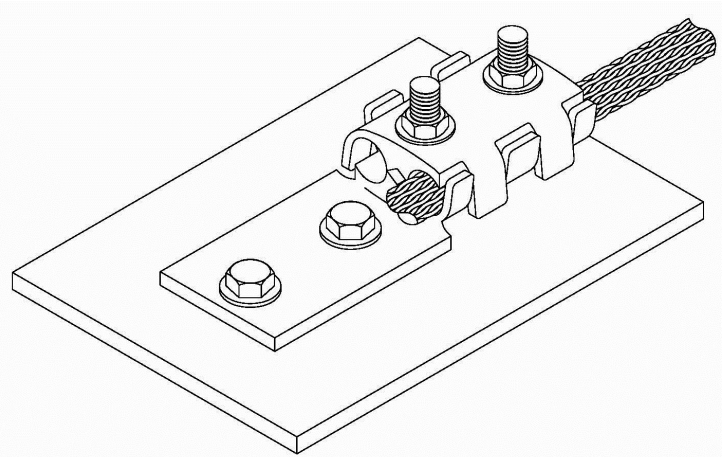
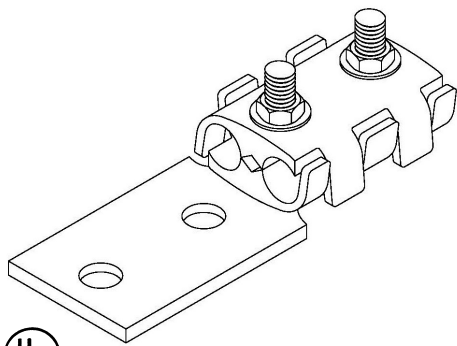
Goshen, IN. 46526

574.533.4116 or 1.800.860.8388

Fax: 574.534.3719

info@ipclp.com www.ipclp.com

UL Listing No. E10913



347

Heavy Duty Bus Terminal

Cast bronze bus terminal with 6 square inches of surface contact for two cables up to 5/8" diameter. Mounting hole is 1/2" diameter. Wt. 1.12 lbs. each.

| | | | | | | | | |
|----|-----|-----|----|----|----|-----|-----|-----|
| 22 | 26S | 32S | 40 | 21 | G3 | A22 | A25 | A30 |
|----|-----|-----|----|----|----|-----|-----|-----|