



Independent Protection Co., Inc.

1607 South Main St.

Goshen, IN. 46526

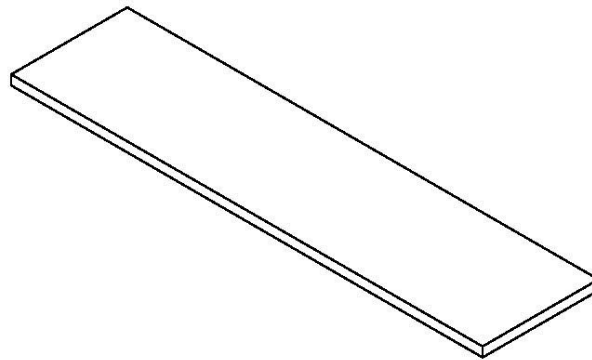
574.533.4116 or 1.800.860.8388

Fax: 574.534.3719

info@ipclp.com www.ipclp.com

UL Listing No. E10913

**49X
Tinned Copper Bonding Strap**



Class	Type	Width	Thickness	Wt. Per 1,000'	Std. Coil Size
1	Strap	1"	0.051	193	25' & 50'