



Independent Protection Co., Inc.

1607 South Main St.

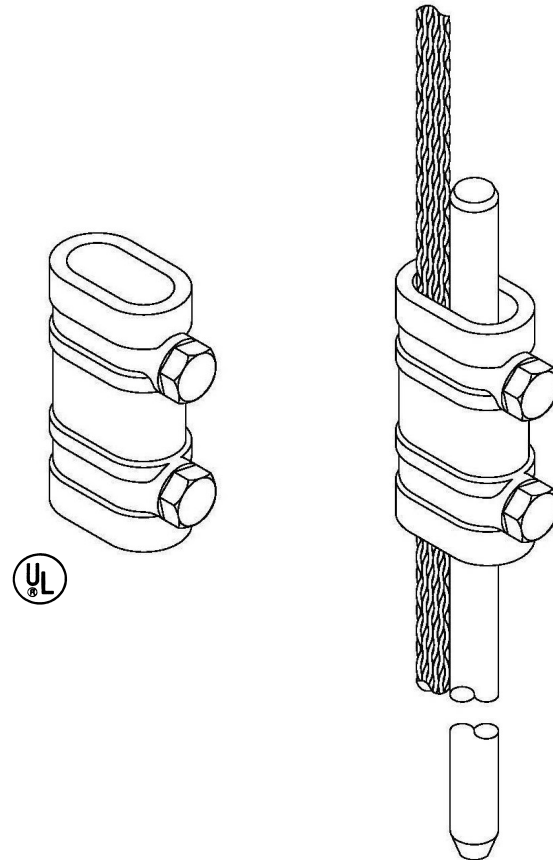
Goshen, IN. 46526

574.533.4116 or 1.800.860.8388

Fax: 574.534.3719

info@ipclp.com www.ipclp.com

UL Listing No. E10913



50A Ground Rod Clamps

Cast bronze 1/2" Clamp for securing cable to ground rod. Wt. .36 lbs. each.

22	28S	32S	40	21	6S	A22	A28	A30
----	-----	-----	----	----	----	-----	-----	-----