



## Independent Protection Co., Inc.

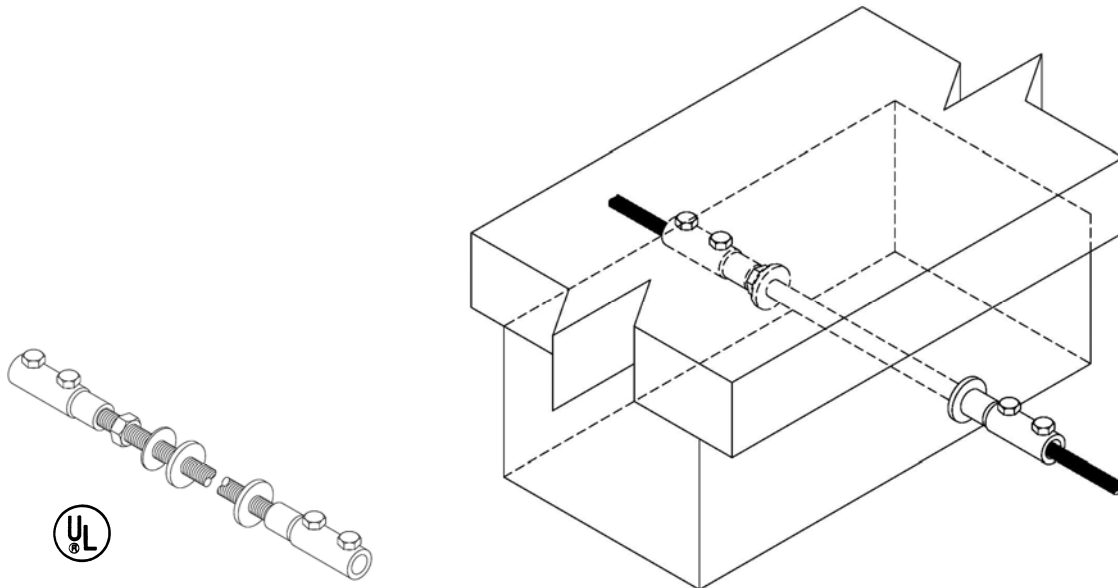
1607 South Main St.  
Goshen, IN. 46526

574.533.4116 or 1.800.860.8388

Fax: 574.534.3719

info@ipclp.com www.ipclp.com

UL Listing No. E10913



**597**

### Straight Thru Wall Assembly

Thru wall assembly consists of two Neoprene® washers, hex nut, washer, M597 cable connector on each end and 1/2" x 8" threaded stainless steel rod. Wt. 1.10 lbs. each.

22	28S	32S	40	21	63	A22	A26	A30
----	-----	-----	----	----	----	-----	-----	-----