



## Independent Protection Co., Inc.

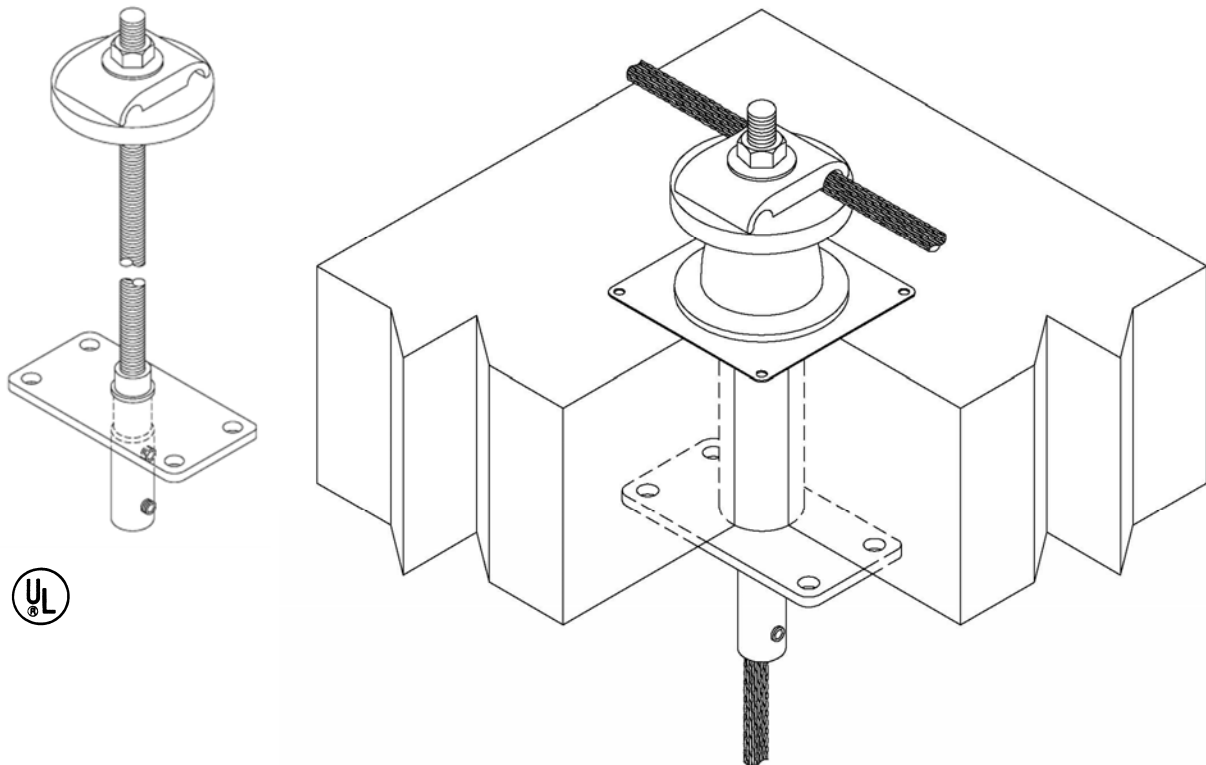
1607 South Main St.  
Goshen, IN. 46526

574.533.4116 or 1.800.860.8388

Fax: 574.534.3719

info@ipclp.com www.ipclp.com

UL Listing No. E10913



### 597C with 179A Thru Roof Connector for 1-1/2" PVC

Cast bronze and machined brass assembly consists of IP-597 cap, cable connector, IP-179A base plate, IP-M597C bottom cable connector with set screws and 1/2" x 8" threaded stainless steel rod. Wt. 1.60 lbs. each. The PVC conduit and boot flashing are shown for illustrative purposes only and are not supplied by IPC as part of the assembly.

Longer lengths of threaded rod are available upon request..

28S	32S	40	21	65	A22	A25	A36
-----	-----	----	----	----	-----	-----	-----