



Independent Protection Co., Inc.

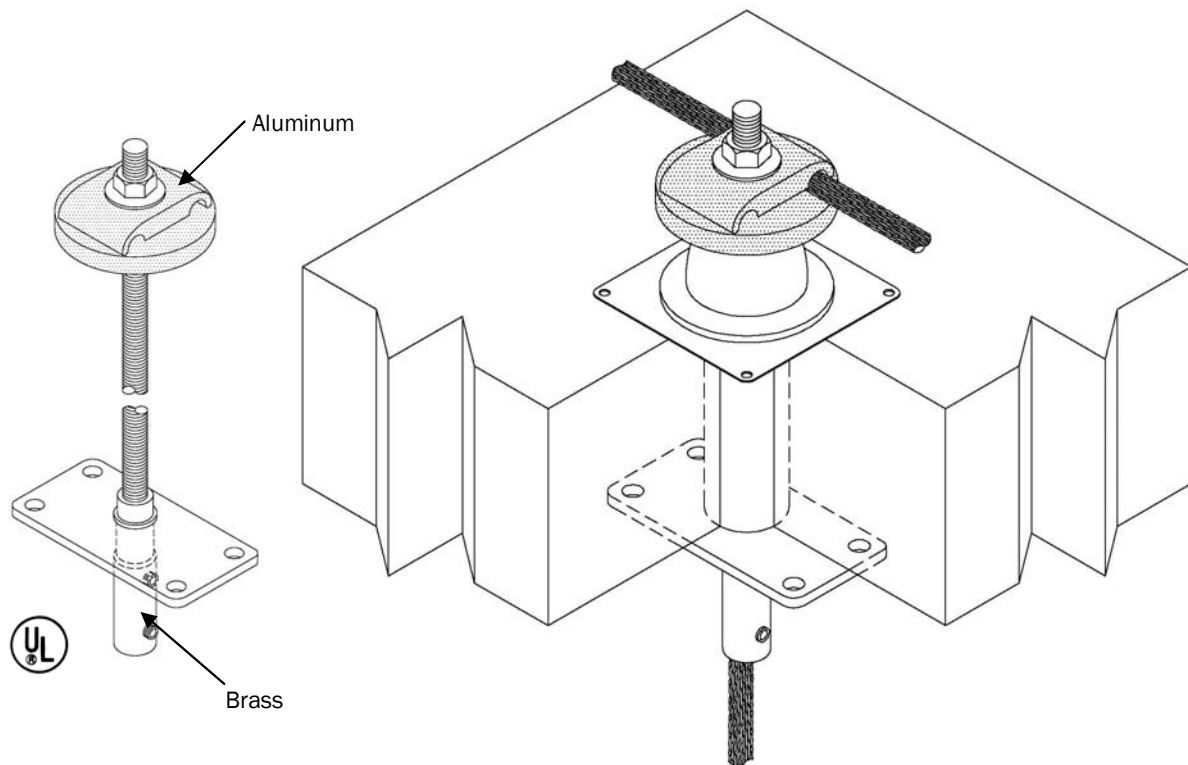
1607 South Main St.
Goshen, IN. 46526

574.533.4116 or 1.800.860.8388

Fax: 574.534.3719

info@ipclp.com www.ipclp.com

UL Listing No. E10913



597BM with 179A Bimetallic Thru Roof Connector for 1-1/2" PVC

Cast bronze, machined brass and cast aluminum assembly consists of aluminum IP-A597 cap, cable connector on top, bronze IP-179A base plate, brass IP-M597C bottom cable connector with set screws and 1/2" x 8" threaded stainless steel rod. Wt. 1.30 lbs. each. The PVC conduit and boot flashing are shown for illustrative purposes only and are not supplied by IPC as part of the assembly. Longer lengths of threaded rod are available upon request..

29	28S	32S	40	21	G3	A22	A28	A30
----	-----	-----	----	----	----	-----	-----	-----