



Independent Protection Co., Inc.

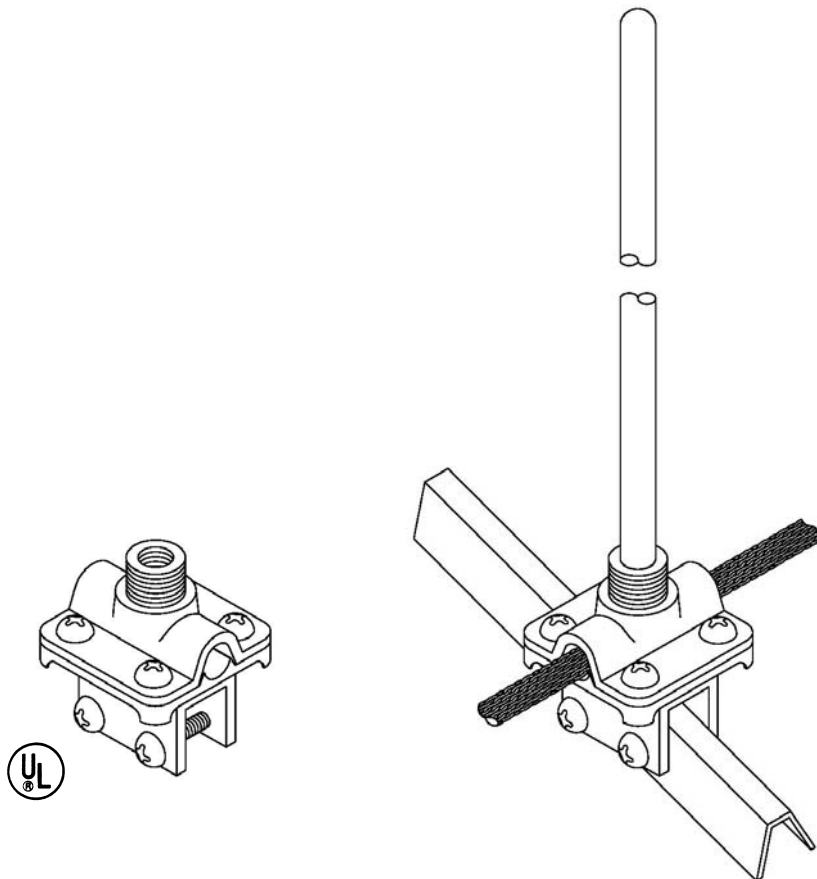
1607 South Main St.
Goshen, IN. 46526

574.533.4116 or 1.800.860.8388

Fax: 574.534.3719

info@ipclp.com www.ipclp.com

UL Listing No. E10913



60SS

Standing Seam Base Support

Cast bronze base support with cable fastener. Cable can run parallel or perpendicular to standing seam. Part is furnished with 3/8" female and 5/8" male threads and for seams up to 3/4" wide. Wt. .93 lbs. each.

22	28S	32S	40	21	G3	A22	A28	A30
----	-----	-----	----	----	----	-----	-----	-----