



Independent Protection Co., Inc.

1607 South Main St.

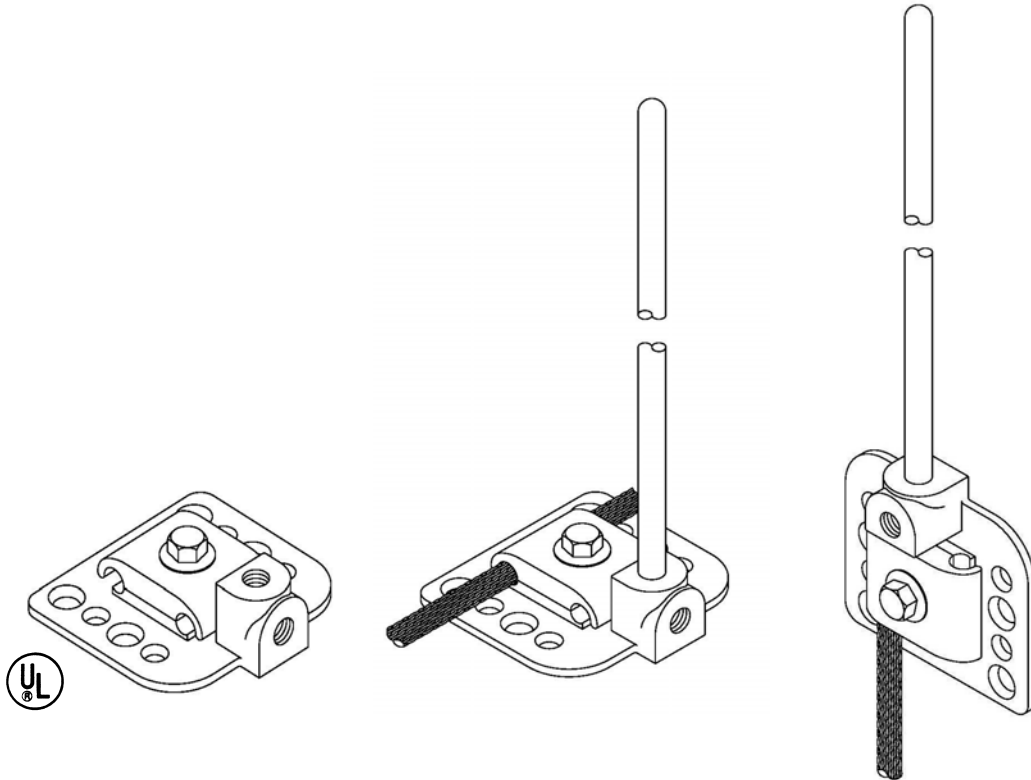
Goshen, IN. 46526

574.533.4116 or 1.800.860.8388

Fax: 574.534.3719

info@ipclp.com www.ipclp.com

UL Listing No. E10913



60U Universal Mounting Base

Cast bronze base can be used in either a vertical or horizontal mounting. For use with 3/8" air terminals. Fasten to surface with adhesive or screws. Wt. .80 lbs. each.

| | | | | | | | | |
|----|-----|-----|----|----|----|-----|-----|-----|
| 28 | 28S | 32S | 40 | 21 | G3 | A22 | A28 | A30 |
|----|-----|-----|----|----|----|-----|-----|-----|