



## Independent Protection Co., Inc.

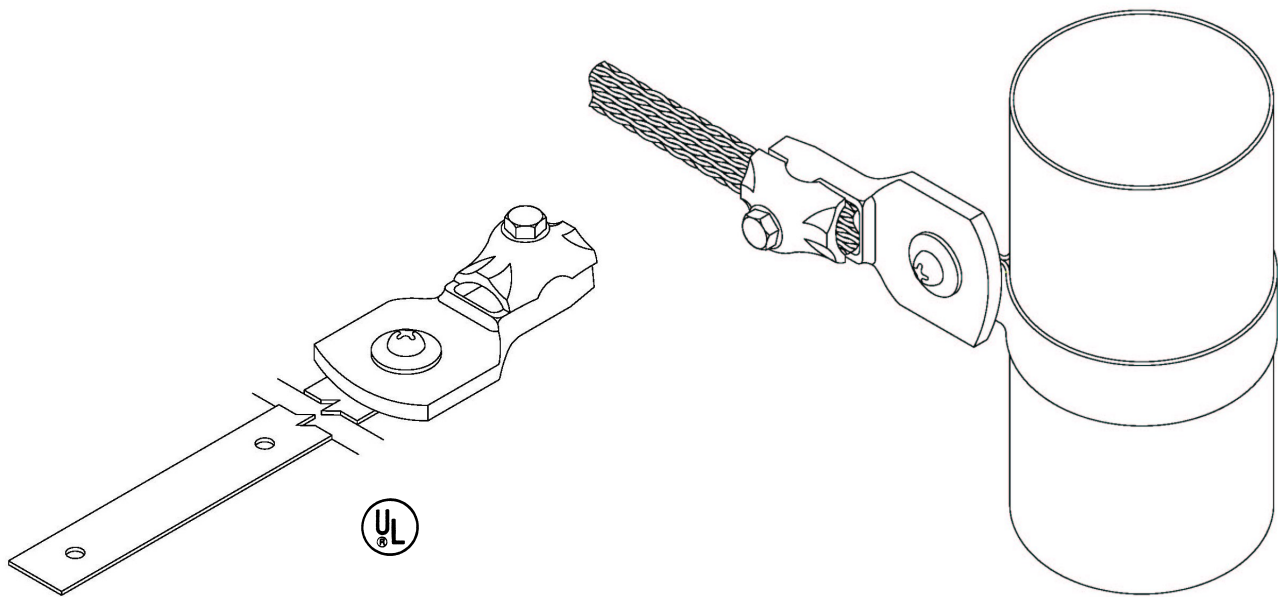
1607 South Main St.  
Goshen, IN. 46526

574.533.4116 or 1.800.860.8388

Fax: 574.534.3719

info@ipclp.com www.ipclp.com

UL Listing No. E10913



### A118X Vent Pipe Bonding Strap

Cast pressure type fitting IP-A596 with 15" of IP-A49 aluminum strap for bonding metal bodies up to 4" diameter pipe. Longer lengths available upon request. Wt. .30 lbs. each.

22	28S	32S	40	21	G3	A22	A28	A30
----	-----	-----	----	----	----	-----	-----	-----