



Independent Protection Co., Inc.

1607 South Main St.

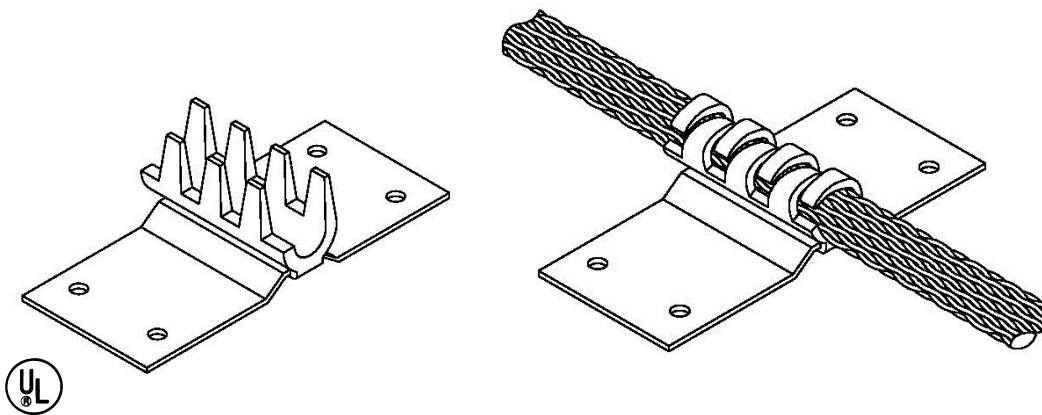
Goshen, IN. 46526

574.533.4116 or 1.800.860.8388

Fax: 574.534.3719

info@ipclp.com www.ipclp.com

UL Listing No. E10913



A120 Bonding Connector

Cast aluminum crimp and pressed aluminum splicer for standard cable bonds to metallic surfaces. Wt. .10 lbs. each.

22	26S	32S	40	21	GS	A22	A28	A30
----	-----	-----	----	----	----	-----	-----	-----