



Independent Protection Co., Inc.

1607 South Main St.

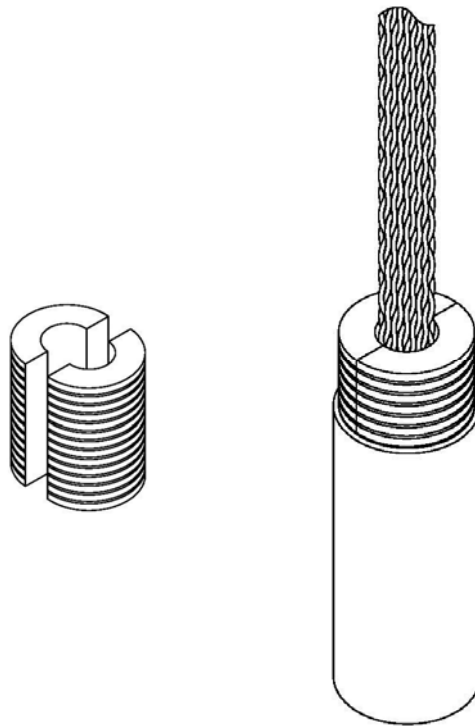
Goshen, IN. 46526

574.533.4116 or 1.800.860.8388

Fax: 574.534.3719

info@ipclp.com www.ipclp.com

UL Listing No. E10913



A177

Bonding Wedge – 1" Conduit

Cast aluminum wedge is used when coursing cable through 1" diameter aluminum conduit. Wedges must be used to bond cable on each end of conduit. Wt. .08 lbs. each.

25	36S	32S	40	51	69	A22	A28	A30
----	-----	-----	----	----	----	-----	-----	-----