



## Independent Protection Co., Inc.

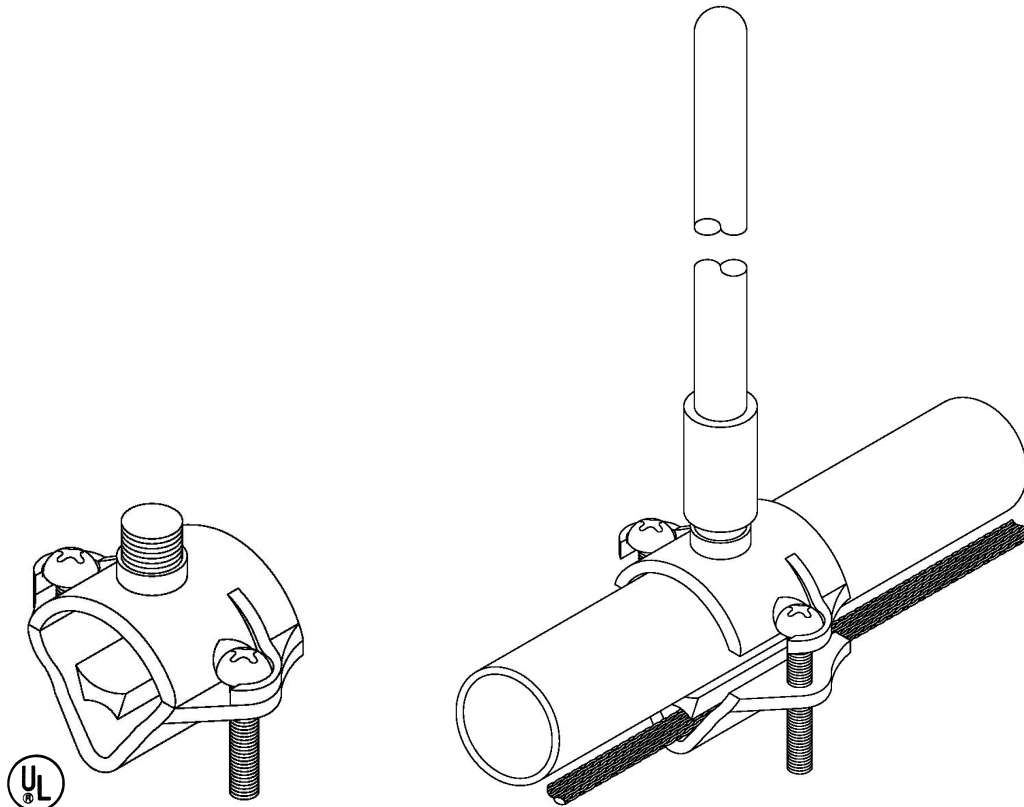
1607 South Main St.  
Goshen, IN. 46526

574.533.4116 or 1.800.860.8388

Fax: 574.534.3719

info@ipclp.com www.ipclp.com

UL Listing No. E10913



### A181

### Railing Bracket Air Terminal Base

Cast aluminum part is for use with railings up to 1-3/4" diameter. Part is threaded for 5/8" male threads.

Adaptor may be required. Wt. .28 lbs. each.

|    |     |     |    |    |    |     |     |     |
|----|-----|-----|----|----|----|-----|-----|-----|
| 22 | 285 | 325 | 40 | 21 | G3 | A22 | A28 | A30 |
|----|-----|-----|----|----|----|-----|-----|-----|