



Independent Protection Co., Inc.

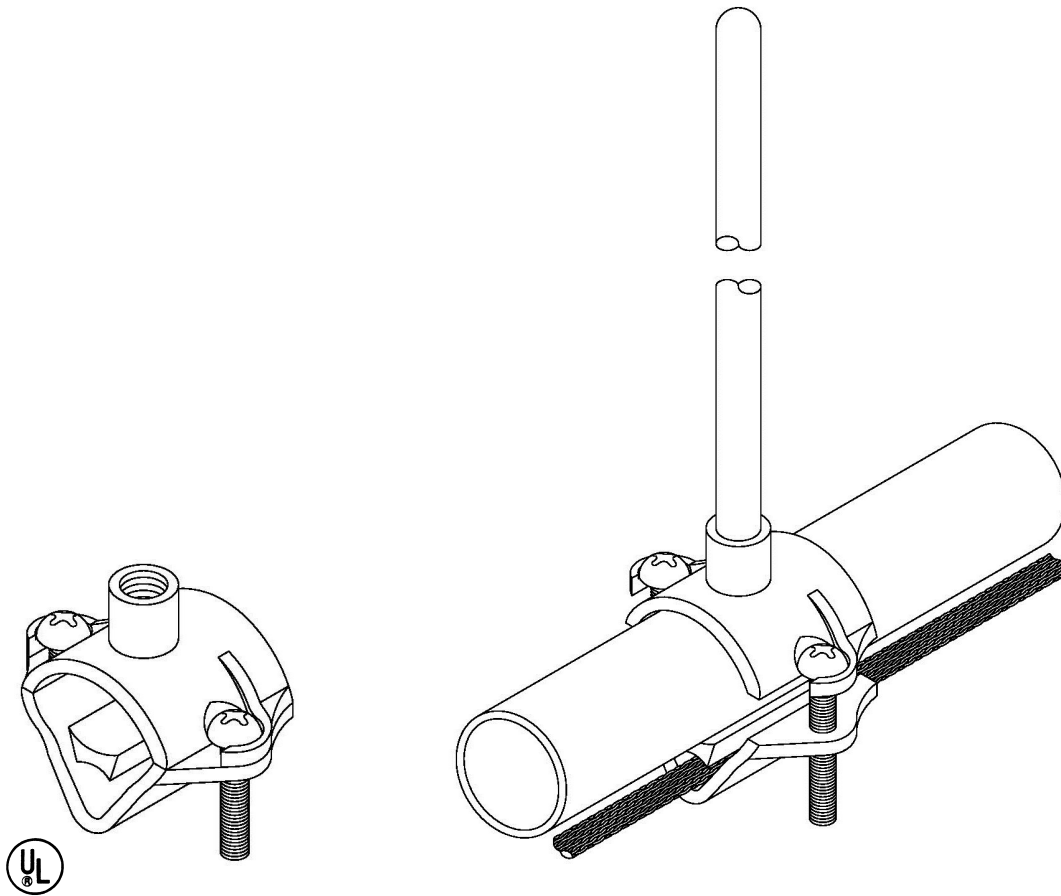
1607 South Main St.
Goshen, IN. 46526

574.533.4116 or 1.800.860.8388

Fax: 574.534.3719

info@ipclp.com www.ipclp.com

UL Listing No. E10913



A181A

Railing Bracket Air Terminal Base

Cast aluminum part is for use with railing up to 1-3/4" diameter. Part is threaded for 1/2" female threads. Wt. .28 lbs. each.

22	28S	32S	40	21	GS	A22	A28	A30
----	-----	-----	----	----	----	-----	-----	-----