



Independent Protection Co., Inc.

1607 South Main St.

Goshen, IN. 46526

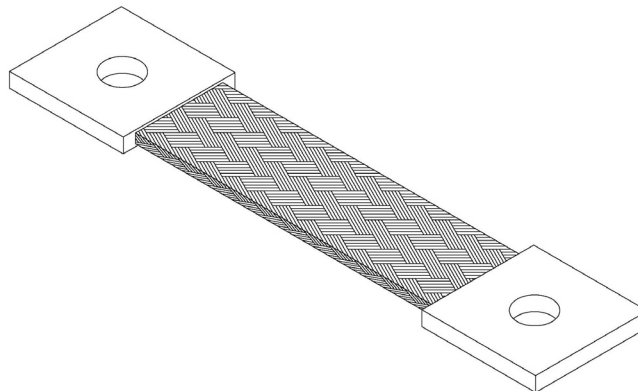
574.533.4116 or 1.800.860.8388

Fax: 574.534.3719

info@ipclp.com www.ipclp.com

UL Listing No. E10913

A184 Flexible Aluminum Bonding Connector



- 480 strands of 30 gauge aluminum
- 3/4" wide x 1/8" thick
- 48,000 circular mils
- Connector is 3/4" x 11" overall or 10" center hole to center hole.
- Bolt holes are 3/8" diameter.
- Other lengths available on request.
- Wt. is .06 lbs. each