



Independent Protection Co., Inc.

1607 South Main St.

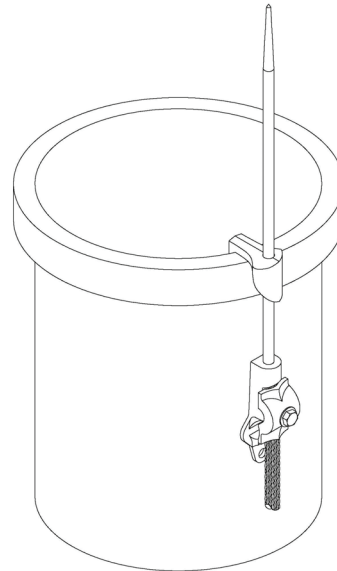
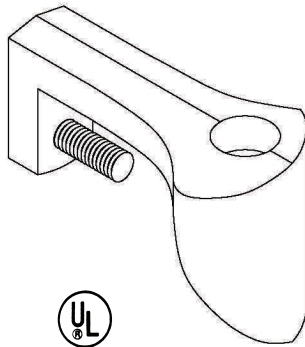
Goshen, IN. 46526

574.533.4116 or 1.800.860.8388

Fax: 574.534.3719

info@ipclp.com www.ipclp.com

UL Listing No. E10913



A256X

Aluminum Flue Tile Support

For use with 1/2" rod and standard or round
tile up to 1-3/8" thick. Wt. .08 lbs. each.