



Independent Protection Co., Inc.

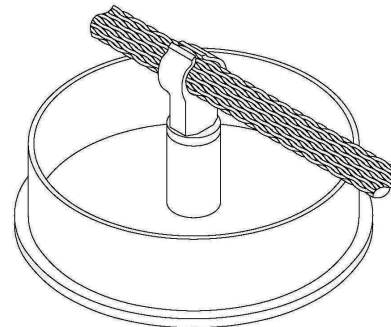
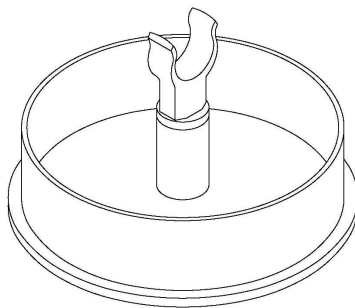
1607 South Main St.
Goshen, IN. 46526

574.533.4116 or 1.800.860.8388

Fax: 574.534.3719

info@ipclp.com www.ipclp.com

UL Listing No. E10913



A266

No Nail Pan Style Cable Fastener

Cast aluminum fastener with crimp type connector. Base is filled with stone or chips and adhered to roof with adhesive. Outer diameter is 4" with inside diameter at 3-1/2". Wt. .30 lbs. each.

22	28S	32S	40	21	G3	A22	A28	A30
----	-----	-----	----	----	----	-----	-----	-----