



Independent Protection Co., Inc.

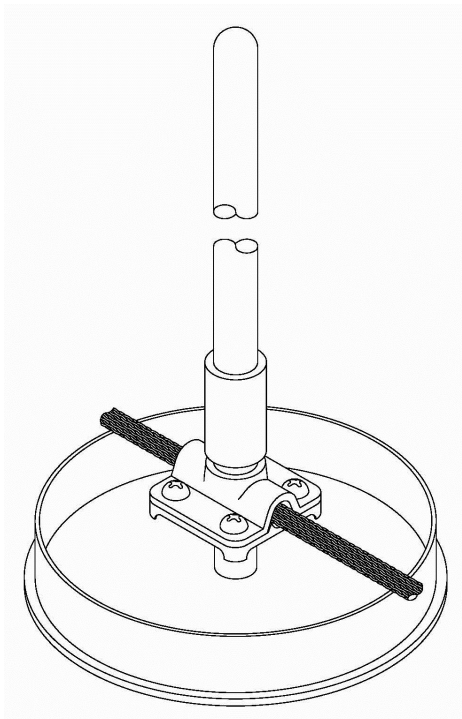
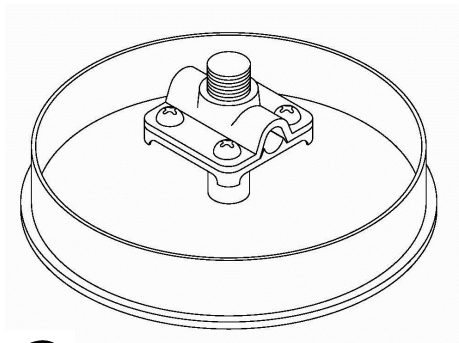
1607 South Main St.
Goshen, IN. 46526

574.533.4116 or 1.800.860.8388

Fax: 574.534.3719

info@ipclp.com www.ipclp.com

UL Listing No. E10913



A266B

Pan Type Adhesive Air Terminal Base

Cast aluminum base with 5/8" male threads and outer diameter of pan is 6" OD. Pan is fastened with adhesive and filled with stone chips or concrete. Wt..98 lbs. each.

22	28S	32S	40	21	G5	A22	A28	A30
----	-----	-----	----	----	----	-----	-----	-----