



Independent Protection Co., Inc.

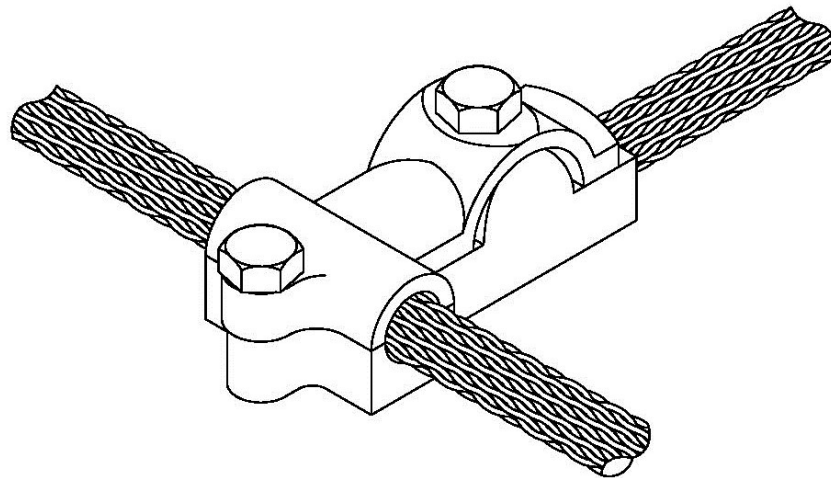
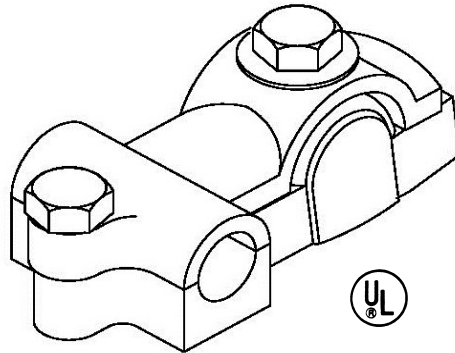
1607 South Main St.
Goshen, IN. 46526

574.533.4116 or 1.800.860.8388

Fax: 574.534.3719

info@ipclp.com www.ipclp.com

UL Listing No. E10913



A304

Pressure Type "T" Connector

Cast aluminum pressure type "T" connector. Wt. .18 lbs. each.

22	28S	32S	40	21	G5	A22	A28	A30
----	-----	-----	----	----	----	-----	-----	-----