



Independent Protection Co., Inc.

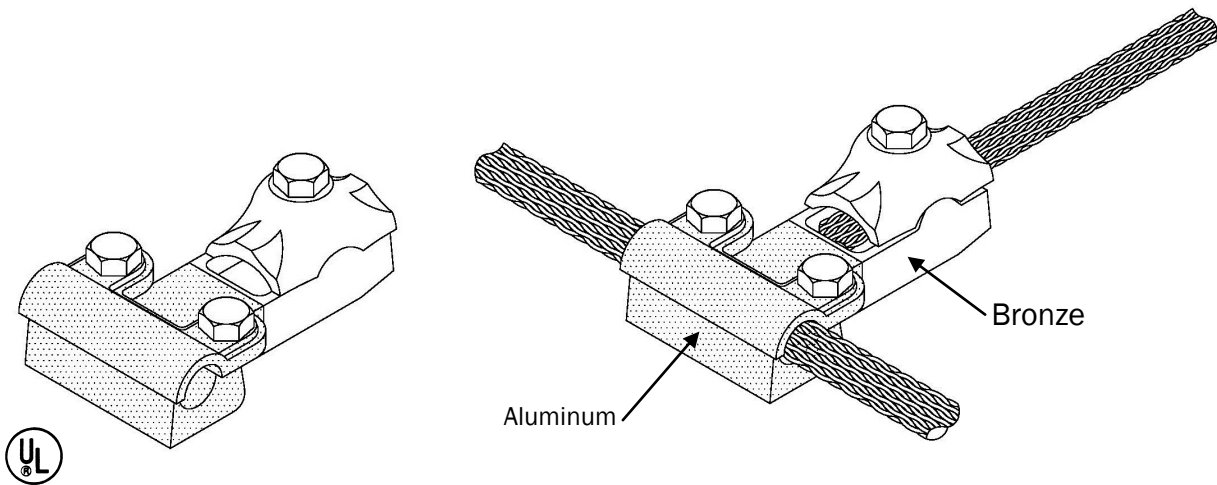
1607 South Main St.
Goshen, IN. 46526

574.533.4116 or 1.800.860.8388

Fax: 574.534.3719

info@ipclp.com www.ipclp.com

UL Listing No. E10913



A304A Bimetal "T" Connector

Cast bronze and aluminum pressure type
"T" Connector. Wt. .64 lbs. each.

22	26S	32S	40	21	63	A22	A28	A30
----	-----	-----	----	----	----	-----	-----	-----