



Independent Protection Co., Inc.

1607 South Main St.

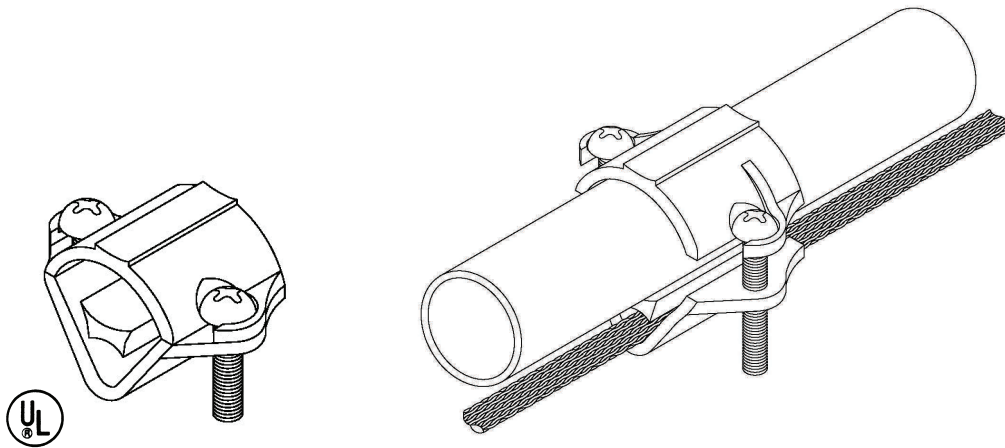
Goshen, IN. 46526

574.533.4116 or 1.800.860.8388

Fax: 574.534.3719

info@ipclp.com www.ipclp.com

UL Listing No. E10913



A306

Small Perfection Pipe Clamp

Cast aluminum pipe clamp for cables through 2/0 providing 1-1/2" contact. Fits 1/2" – 1" iron pipes and 1/4" – 1" aluminum pipes. Maximum 1-1/2" outer diameter. Wt. .48 lbs. each.

| | | | | | | | | |
|----|-----|-----|----|----|----|-----|-----|-----|
| 22 | 28S | 32S | 40 | 21 | G3 | A22 | A28 | A30 |
|----|-----|-----|----|----|----|-----|-----|-----|