



**Independent Protection Co., Inc.**

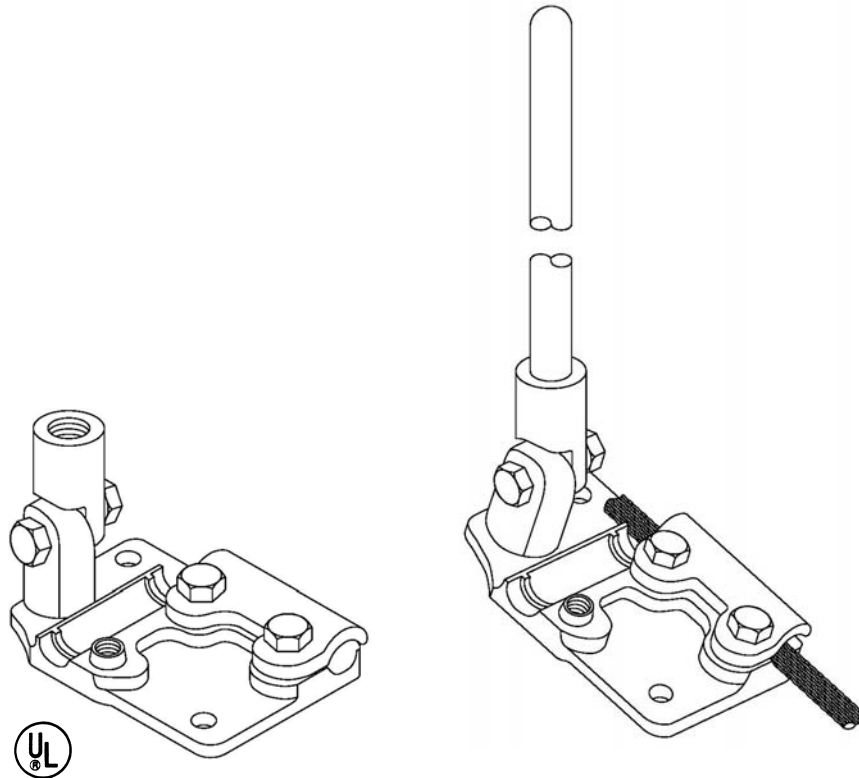
1607 South Main St.  
Goshen, IN. 46526

574.533.4116 or 1.800.860.8388

Fax: 574.534.3719

info@ipclp.com www.ipclp.com

UL Listing No. E10913



**A339**

**Heavy Duty Adjustable Base – Short Neck**

Cast aluminum with 1/2" female threads. Wt. .64 lbs. each.

|    |     |     |    |    |    |     |     |     |
|----|-----|-----|----|----|----|-----|-----|-----|
| 22 | 28S | 32S | 40 | 21 | G3 | A22 | A28 | A30 |
|----|-----|-----|----|----|----|-----|-----|-----|