



Independent Protection Co., Inc.

1607 South Main St.

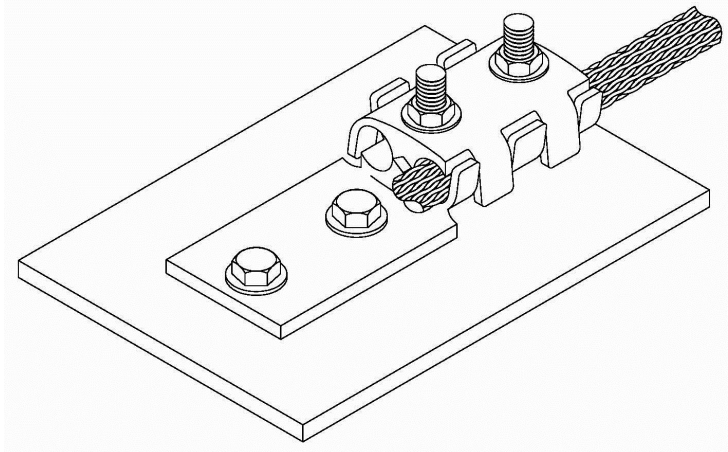
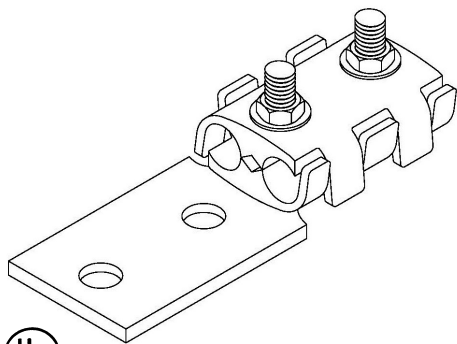
Goshen, IN. 46526

574.533.4116 or 1.800.860.8388

Fax: 574.534.3719

info@ipclp.com www.ipclp.com

UL Listing No. E10913



A347

Heavy Duty Bus Terminal

Cast aluminum bus terminal with 6 square inches of surface contact for two cables up to 5/8" diameter. Mounting hole is 1/2" diameter. Wt. .46 lbs. each.

22	28S	32S	40	21	GS	A22	A28	A30
----	-----	-----	----	----	----	-----	-----	-----