



Independent Protection Co., Inc.

1607 South Main St.

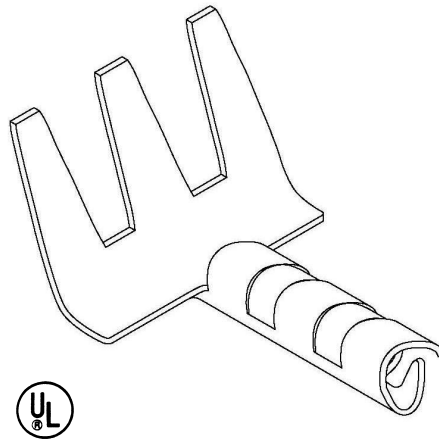
Goshen, IN. 46526

574.533.4116 or 1.800.860.8388

Fax: 574.534.3719

info@ipclp.com www.ipclp.com

UL Listing No. E10913



A35

Aluminum Tube Point Coupler

Pressed aluminum coupler is crimped
into tube point prior to shipping.

Wt. .04 lbs. each.