



Independent Protection Co., Inc.

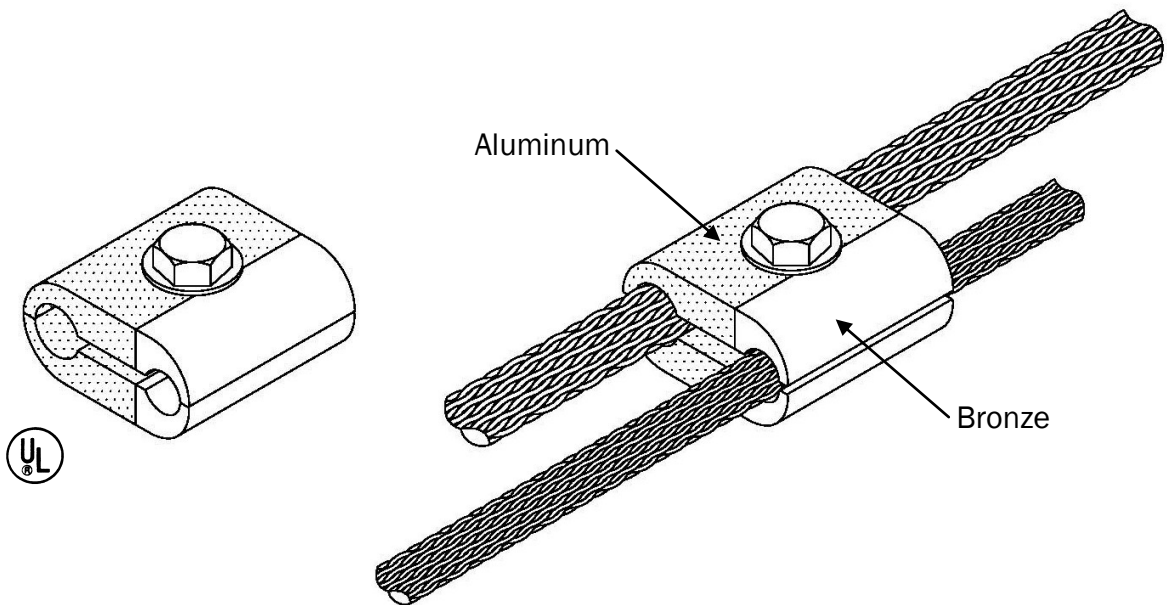
1607 South Main St.
Goshen, IN. 46526

574.533.4116 or 1.800.860.8388

Fax: 574.534.3719

info@ipclp.com www.ipclp.com

UL Listing No. E10913



A41P Parallel Bimetal Connector

Cast bronze and aluminum pressure style
connector. Wt. .30 lbs. each.

12	28S	32S	40	21	6S	A22	A28	A30
----	-----	-----	----	----	----	-----	-----	-----