



## Independent Protection Co., Inc.

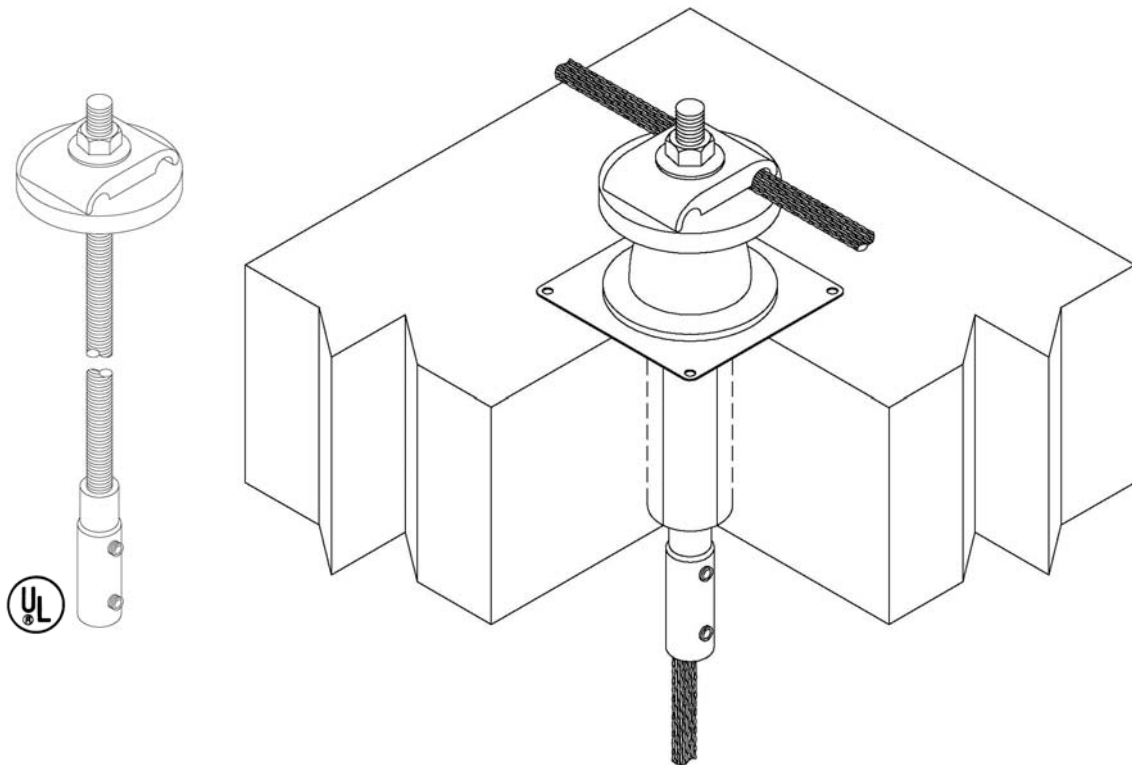
1607 South Main St.  
Goshen, IN. 46526

574.533.4116 or 1.800.860.8388

Fax: 574.534.3719

info@ipclp.com www.ipclp.com

UL Listing No. E10913



### A597C

### Thru Roof Connector for 1-1/2" PVC

Cast and machined aluminum assembly consists of IP-A597 cap, cable connector, IP-MA597C bottom cable connector with set screws and 1/2" x 8" threaded stainless steel rod. Wt. .64 lbs. each. The PVC conduit and boot flashing are shown for illustrative purposes only and are not supplied by IPC as part of the assembly. Longer lengths of threaded rod are available upon request.

22	28S	32S	40	21	63	A22	A28	A30
----	-----	-----	----	----	----	-----	-----	-----