



## Independent Protection Co., Inc.

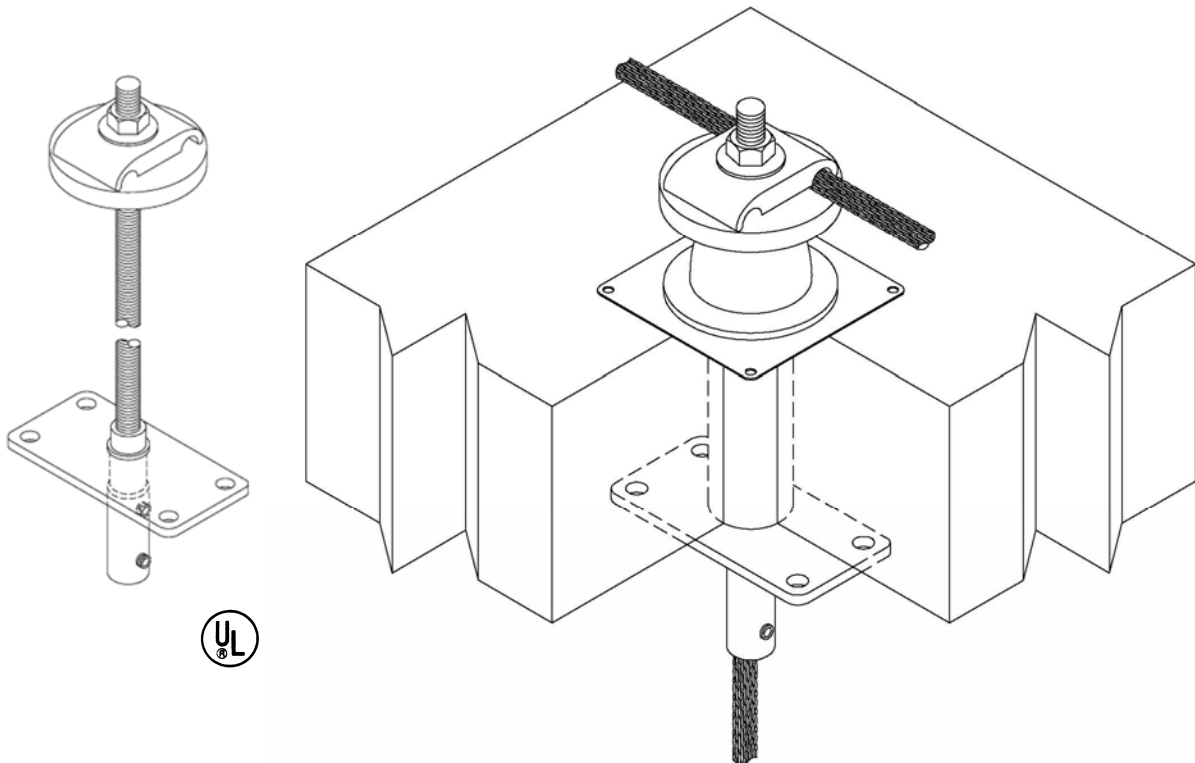
1607 South Main St.  
Goshen, IN. 46526

574.533.4116 or 1.800.860.8388

Fax: 574.534.3719

info@ipclp.com www.ipclp.com

UL Listing No. E10913



### A597C with A179A Thru Roof Connector for 1-1/2" PVC

Cast and machined aluminum assembly consists of IP-A597 cap, cable connector, IP-A179A base plate, IP-MA597C bottom cable connector with set screws and 1/2" x 8" threaded stainless steel rod. Wt. .78 lbs. each. The PVC conduit and boot flashing are shown for illustrative purposes only and are not supplied by IPC as part of the assembly.

Longer lengths of threaded rod are available upon request..

25	36S	12S	40	51	69	A22	A28	A30
----	-----	-----	----	----	----	-----	-----	-----