



## Independent Protection Co., Inc.

1607 South Main St.

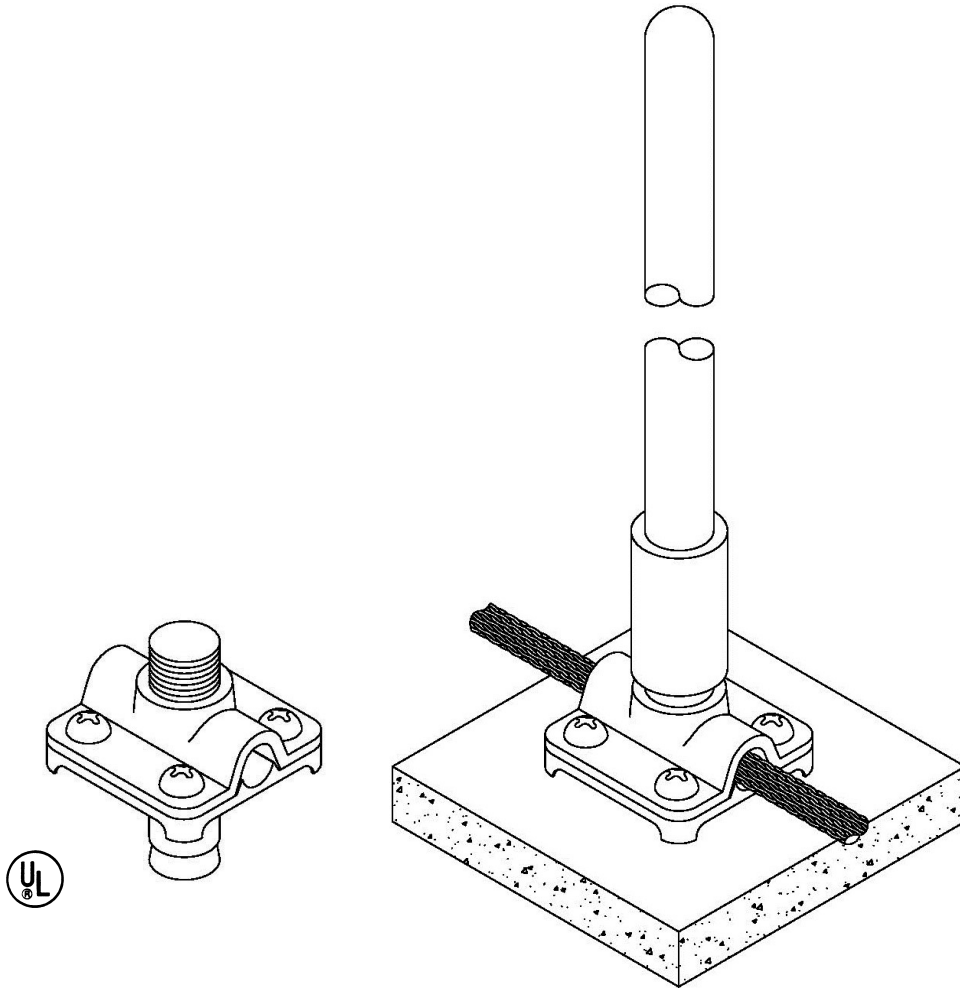
Goshen, IN. 46526

574.533.4116 or 1.800.860.8388

Fax: 574.534.3719

info@ipclp.com www.ipclp.com

UL Listing No. E10913



### A60A

### Flat Surface Air Terminal Base

Cast aluminum part is provided with 5/8" male threads and furnished with 5/16" lead anchor and screw. Wt. .28 lbs. each.

12	28S	32S	40	21	GS	A22	A28	A30
----	-----	-----	----	----	----	-----	-----	-----