



## Independent Protection Co., Inc.

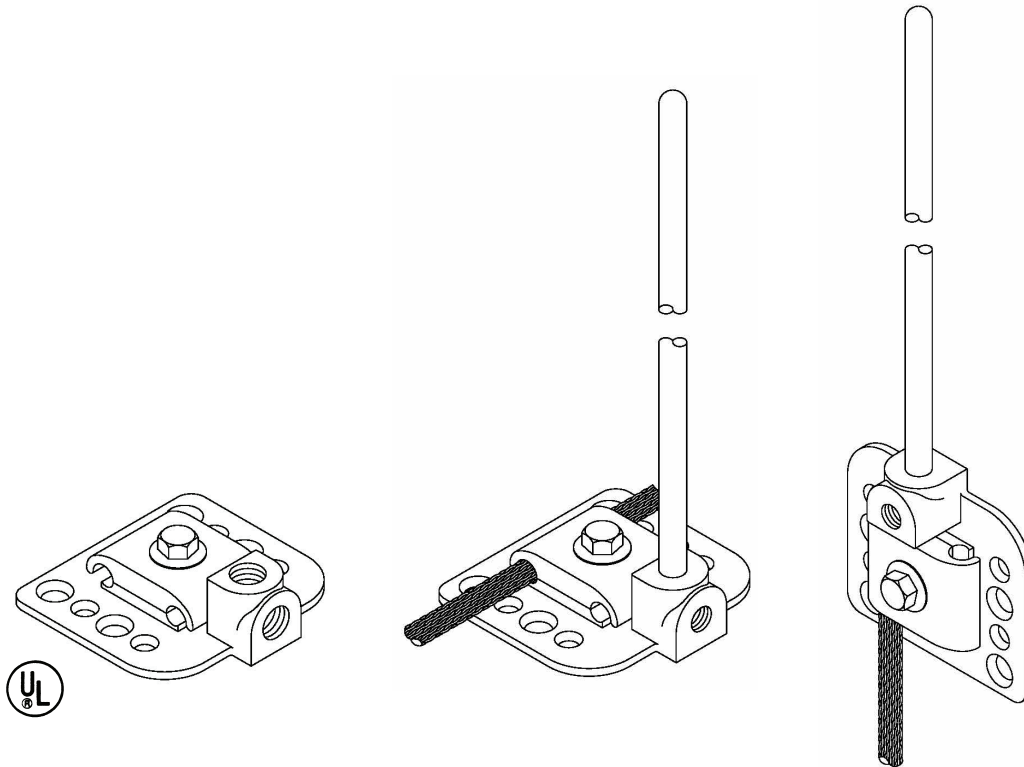
1607 South Main St.  
Goshen, IN. 46526

574.533.4116 or 1.800.860.8388

Fax: 574.534.3719

info@ipclp.com www.ipclp.com

UL Listing No. E10913



### A60UB Universal Mounting Base

Cast aluminum base can be used in either a vertical or horizontal mounting. For use with 1/2" air terminals. Fasten to surface with adhesive or screws. Wt. .28 lbs. each.

22	28S	32S	40	21	G3	A22	A28	A30
----	-----	-----	----	----	----	-----	-----	-----