



## Independent Protection Co., Inc.

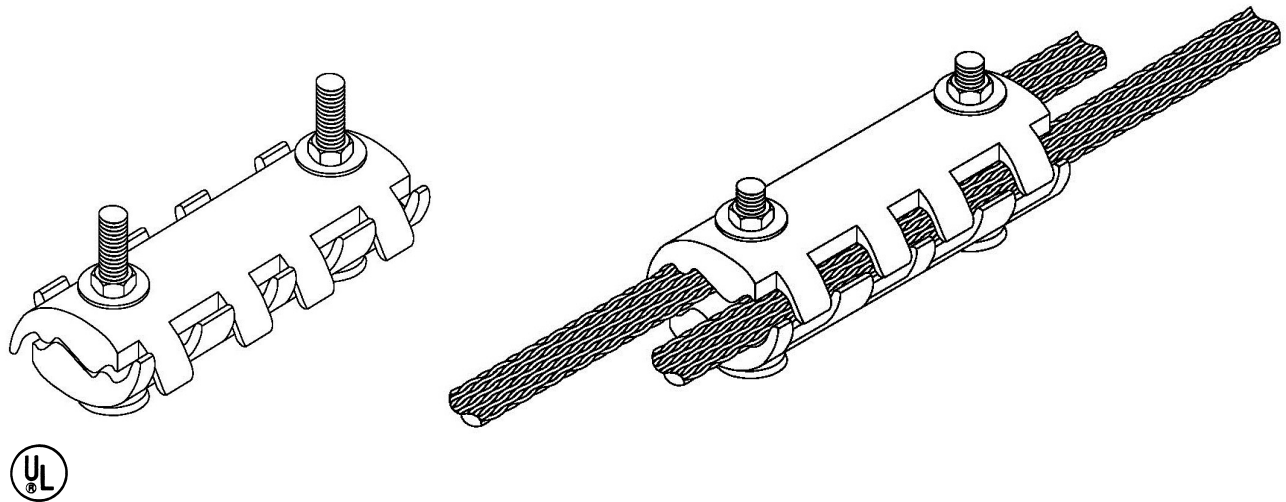
1607 South Main St.  
Goshen, IN. 46526

574.533.4116 or 1.800.860.8388

Fax: 574.534.3719

info@ipclp.com www.ipclp.com

UL Listing No. E10913



### AG27

### Large Parallel All Purpose Connector

Cast aluminum pressure type connector  
4" in length. Wt. .34 lbs. each.

32	38S	32S	40	21	GS	A22	A28	A30
----	-----	-----	----	----	----	-----	-----	-----