



Independent Protection Co., Inc.

1607 South Main St.

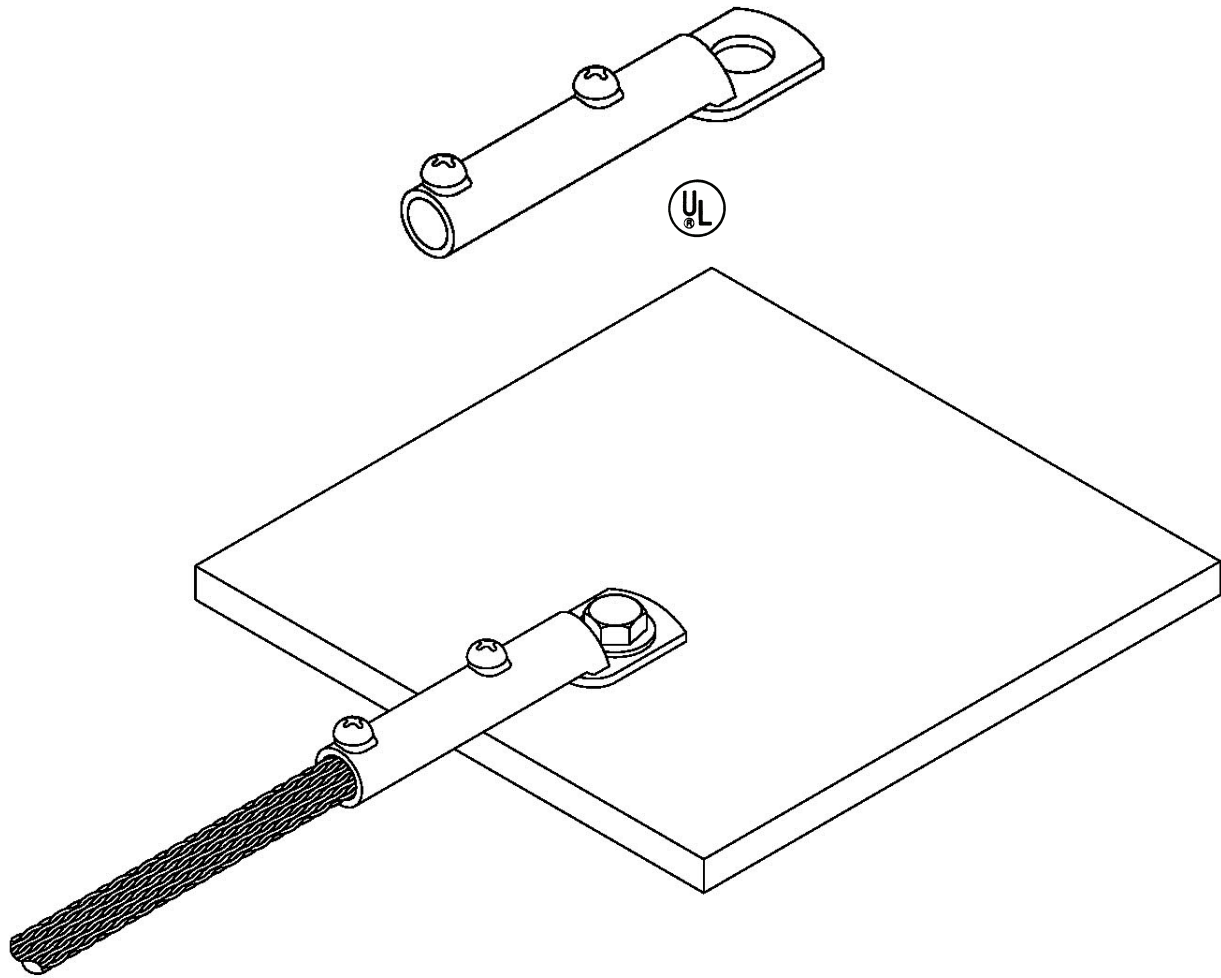
Goshen, IN. 46526

574.533.4116 or 1.800.860.8388

Fax: 574.534.3719

info@ipclp.com www.ipclp.com

UL Listing No. E10913



AG68

Small Bus Terminal

Cast aluminum bonding lug for smaller bonding cable. Mounting hole is 5/16" diameter. Wt. .06 lbs. each.

| | | | | | | | | |
|----|-----|-----|----|----|----|-----|-----|-----|
| 22 | 28S | 32S | 40 | 21 | G3 | A22 | A28 | A30 |
|----|-----|-----|----|----|----|-----|-----|-----|