



## Independent Protection Co., Inc.

1607 South Main St.

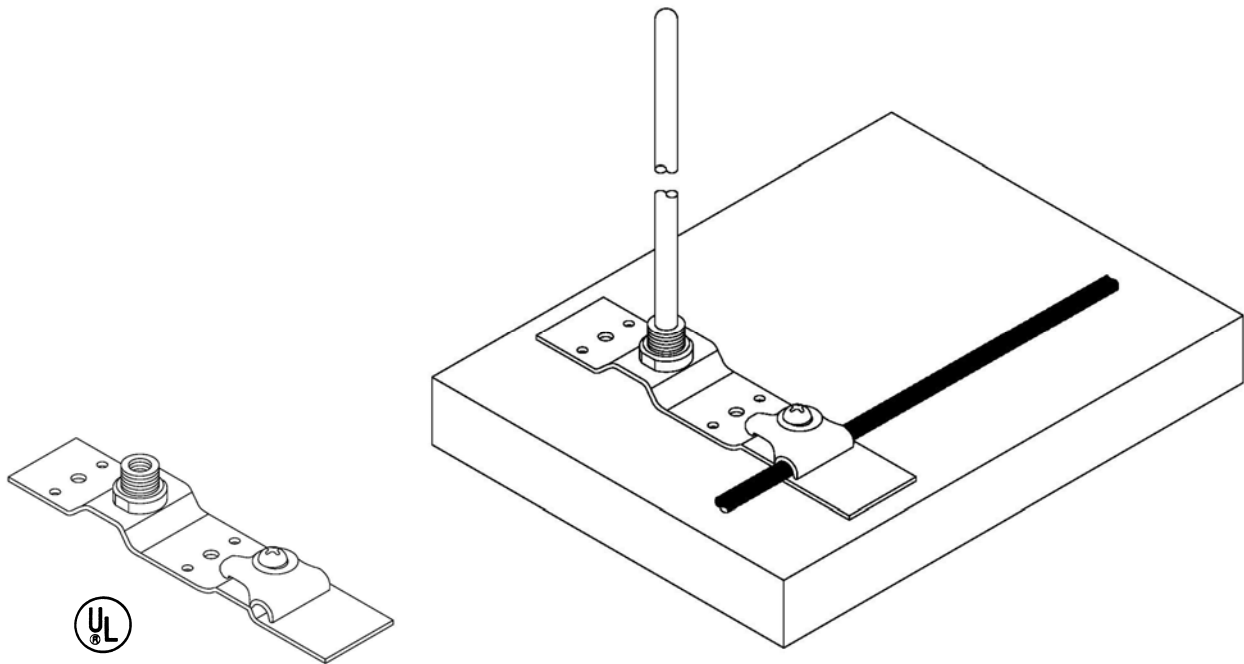
Goshen, IN. 46526

574.533.4116 or 1.800.860.8388

Fax: 574.534.3719

info@ipclp.com www.ipclp.com

UL Listing No. E10913



### M55

#### Shorter Saddle Style Air Terminal Base

Copper strap material is 6" in length for applications where space is limited. Part is furnished with 3/8" female and 5/8" male threads. Wt. .48 lbs. each.

28	28S	32S	40	21	G3	A22	A28	A30
----	-----	-----	----	----	----	-----	-----	-----