



Independent Protection Co., Inc.

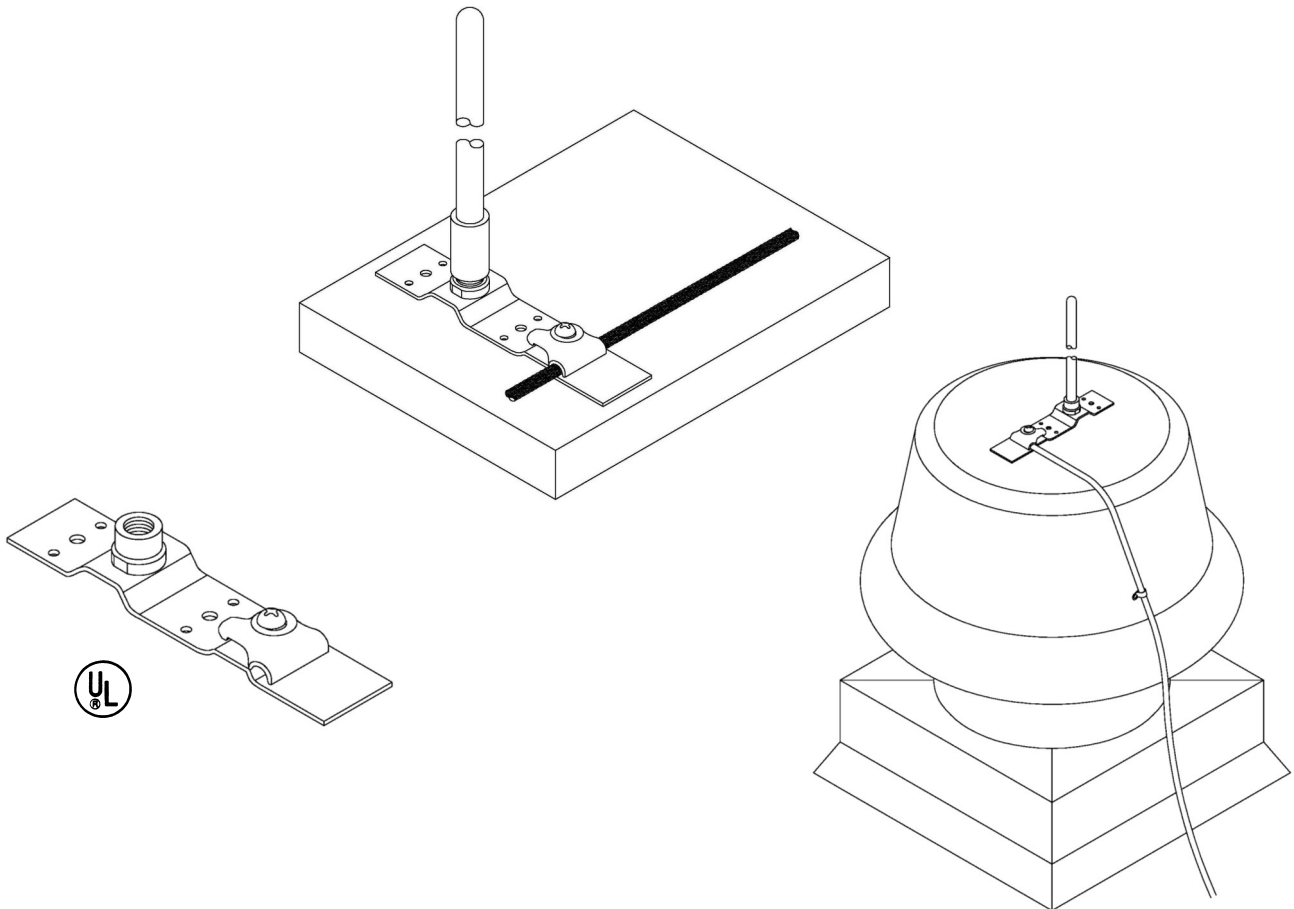
1607 South Main St.
Goshen, IN. 46526

574.533.4116 or 1.800.860.8388

Fax: 574.534.3719

info@ipclp.com www.ipclp.com

UL Listing No. E10913



MA55 1/2" ID Shorter Saddle Style Air Terminal Base

Aluminum strap material is 6" in length
for applications where space is limited.

Part is furnished with 1/2" female
threads. Wt. .20 lbs. each.

22	28S	32S	40	21	GS	A22	A28	A30
----	-----	-----	----	----	----	-----	-----	-----