



Independent Protection Co., Inc.

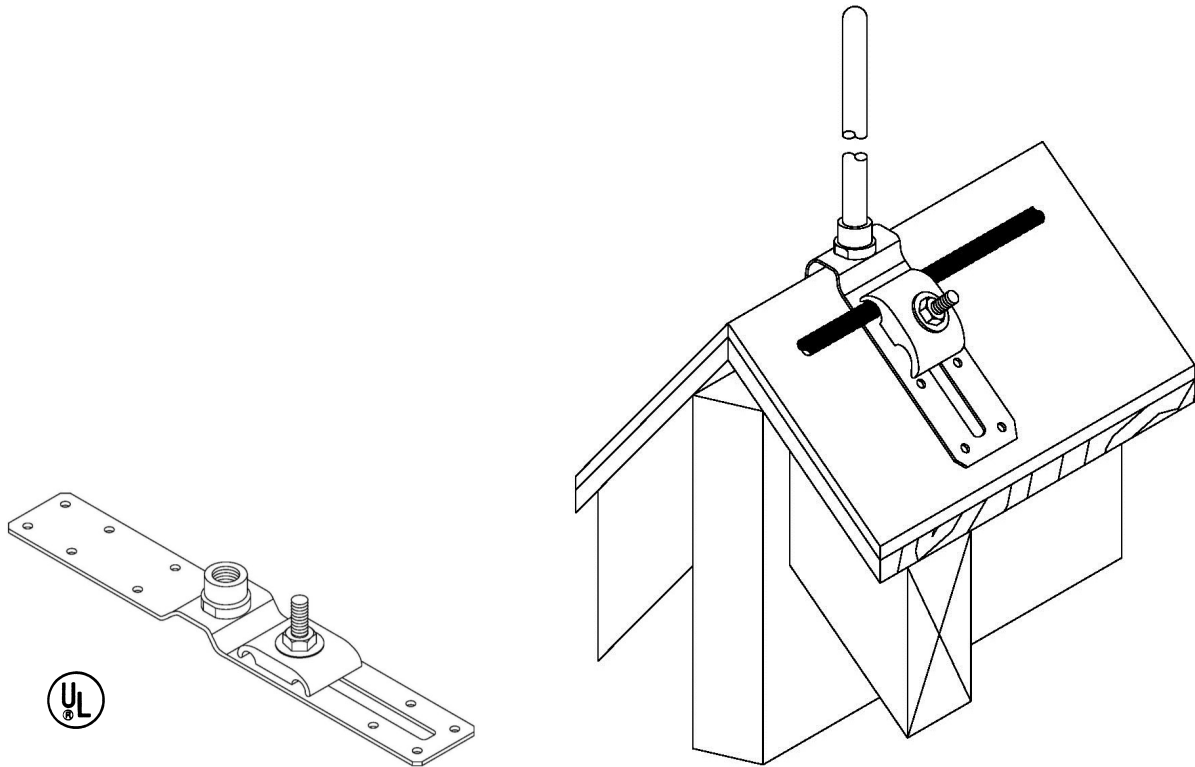
1607 South Main St.
Goshen, IN. 46526

574.533.4116 or 1.800.860.8388

Fax: 574.534.3719

info@ipclp.com www.ipclp.com

UL Listing No. E10913



**MA74 1/2" ID
Slider Saddle Base**

Aluminum strap material 11-3/4" in length with adjustable slider cable support. Part is furnished with 1/2" female threads. Wt. .36 lbs. each.

22	28S	32S	40	21	G3	A22	A28	A30
----	-----	-----	----	----	----	-----	-----	-----